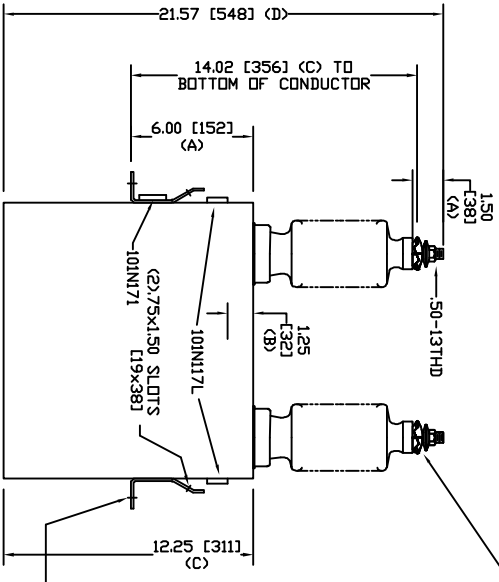
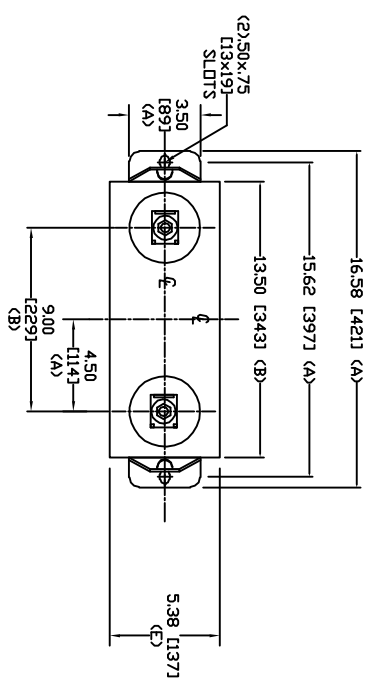


SIZE	DWG. NO.	SHT	REV
A	S4L510WC10	2	0
REV	DESCRIPTION	DATE	APPROVED
0	New	3/23/2011	




SOLDERLESS CONN. FOR #10 SOLDER TO #2 STRD COND

UNPAINTED AREA UNDER BOTH BRACKETS FOR GROUNDING

TOL	In.	mm
A	.06	1.5
B	.12	3.0
C	.18	4.6
D	.25	6.4
E	+5/-1	+13/-25

13280 V 1 PH 95 KV/BIL
 150 KVAR 60 Hz
 CAT. S4L510WC10
 161 GAL
 MFG DATE
 101N171 READ GEH-2743


GE ENERGY
FORT EDWARD, N.Y., U.S.A.

SIZE	WEIGHT	OUTLINE
A	42.1 lbs	
SCALE	19.1 kg	S4L510WC10
DRAWN	ACAD VBA	SHEET 2
ISSUED	RAH	CGNT 3
DATE	3/23/2011	
DATE	3/23/2011	