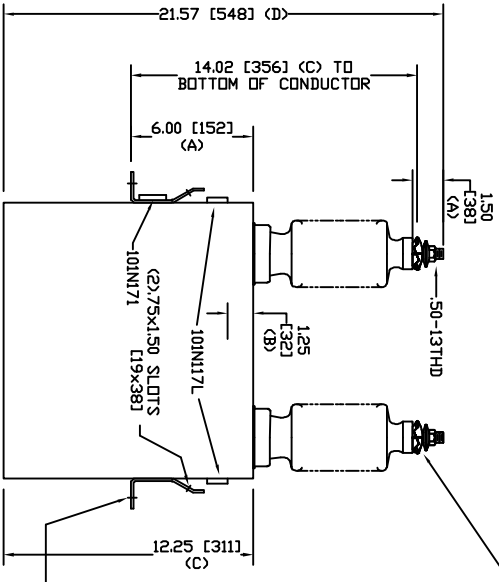
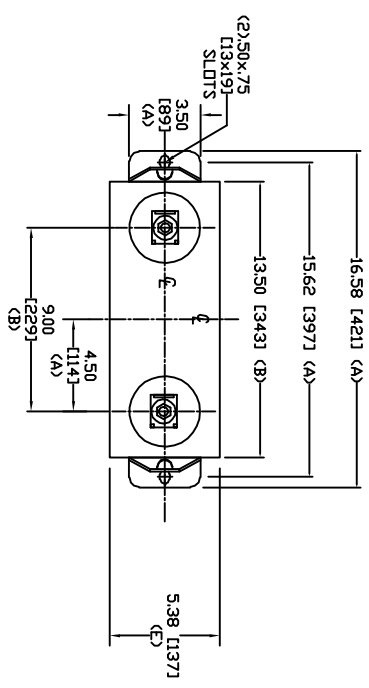


SIZE	DWG. NO.	SHT	REV
A	S4LS15WC10	2	0
REV	DESCRIPTION	DATE	APPROVED
0	New	3/10/2006	



SOLDERLESS CONN. FOR #10 SOLDER TO #2 STRD COND

UNPAINTED AREA UNDER BOTH BRACKETS FOR GROUNDING

TOL	In.	mm
A	.06	1.5
B	.12	3.0
C	.18	4.6
D	.25	6.4
E	+.5/-1	+13/-25

8320 V 1 PH 95 KV/BIL  
 150 KVAR  
 CAT. S4LS15WC10  
 168 GAL  
 MFG DATE  
 101N171 READ GEH-2743

<b>GE ENERGY</b> <b>FORT EDWARD, N.Y., U.S.A.</b>		SIZE	A
DRAWN	ACAD VBA	DATE	7/29/2010
ISSUED	RAH	DATE	7/29/2010
<b>WEIGHT</b> 41.5 lbs 18.9 kg		<b>SCALE</b> A	
<b>OUTLINE</b> <b>S4LS15WC10</b>		SHEET	2
		CGNT	3