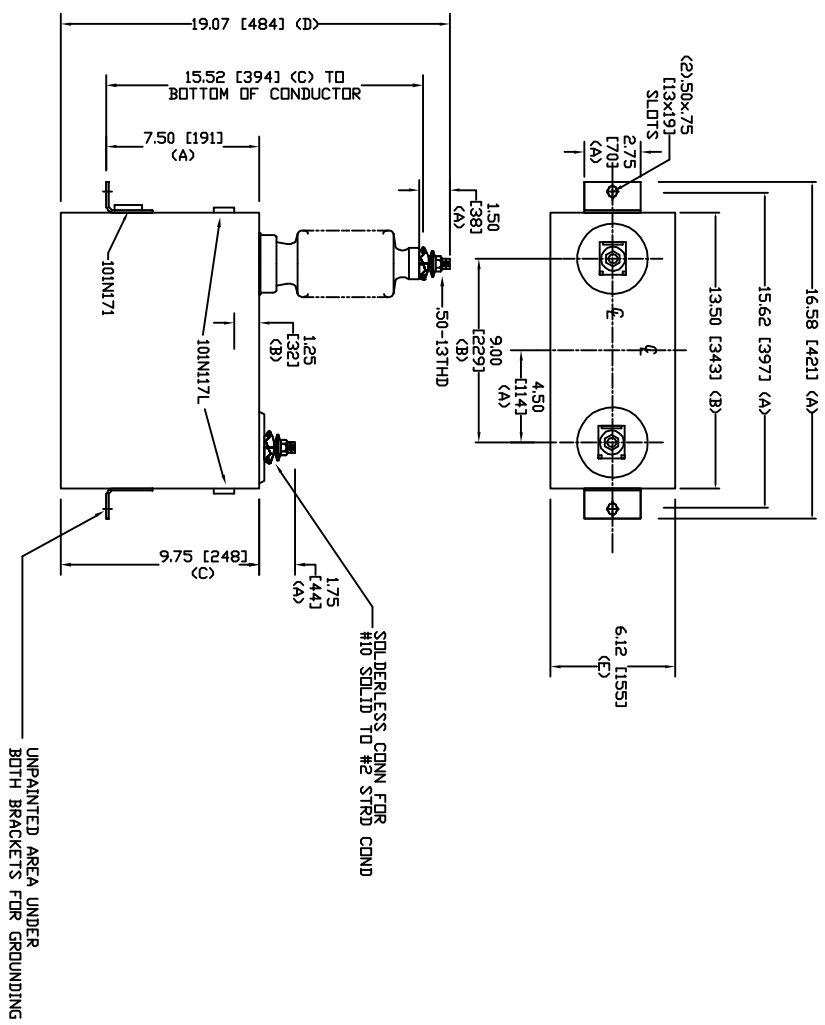


SIZE	DWG. NO.	SHT	REV
A	54L522WC60	2	0
REV	DESCRIPTION	DATE	APPROVED
0	New	7/12/2005	



TOL	in.	mm
A	.06	1.5
B	.12	3.0
C	.18	4.6
D	.25	6.4
E	+.5/-1	+13/-25

2770 V 1 PH 95 KV/BIL
 150 KVAR
 CAT. 54L522WC60
 1.45 GAL
 MFG DATE
 101N171 READ GEH-2743

INDUSTRIAL SYSTEMS FORT EDWARD, N.Y., U.S.A.		SIZE	A
DRAWN	ACAD VBA	DATE	8/19/2008
ISSUED	RAH	DATE	8/19/2008
WEIGHT		37.2 lbs	
SCALE		16.9 kg	
SHEET		2	
DGN		3	
<h1>OUTLINE</h1> <h2>54L522WC60</h2>			