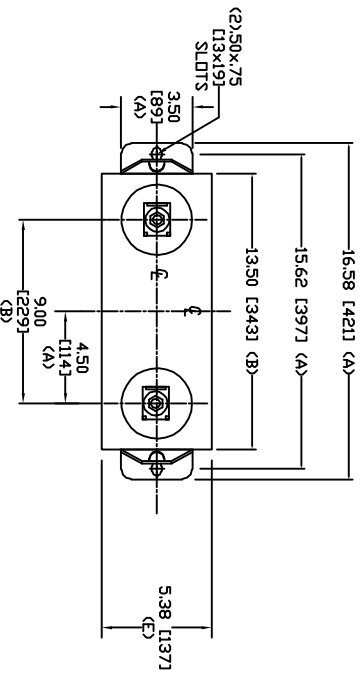
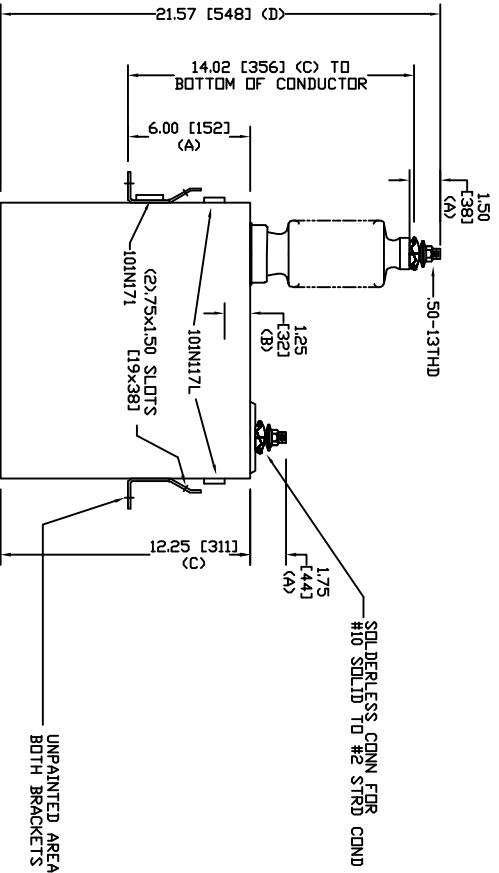


SIZE	DWG. NO.	SHT	REV
A	54L527WC10	2	0
REV	DESCRIPTION	DATE	APPROVED
0	New	8/5/2005	



TOL	in.	mm
A	.06	1.5
B	.12	3.0
C	.18	4.6
D	.25	6.4
E	+.5/-1	+13/-25



UNPAINTED AREA UNDER BOTH BRACKETS FOR GROUNDING

7620 V 1 PH 95 KVBL
 150 KVAR
 CAT. 54L527WC10
 164 GAL
 MFG DATE
 101N171 READ GEH-2743



GE ENERGY
 FORT EDWARD, N.Y., U.S.A.

DRAWN ACAD VBA DATE 10/7/2010
 ISSUED RAH DATE 10/7/2010

SIZE A

WEIGHT
 42 lbs
 19.1 kg

OUTLINE
 54L527WC10

SHEET 2 CNT 3