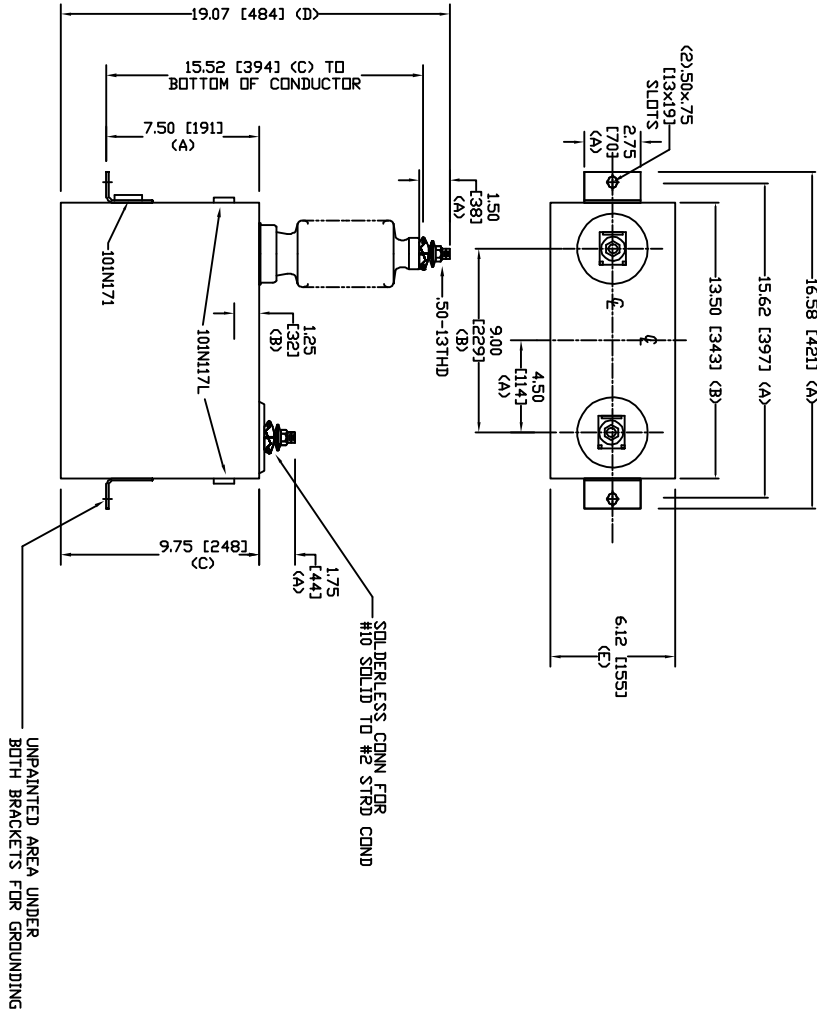



SIZE	DWG. NO.	SHT	REV
A	54L528WC60	2	0
REV	DESCRIPTION	DATE	APPROVED
0	New	7/25/2005	



TOL	in.	mm
A	.06	1.5
B	.12	3.0
C	.18	4.6
D	.25	6.4
E	+.5/-1	+13/-25

7960 V 1 PH 95 KV/BIL  
 150 KVAR 60 Hz  
 CAT. 54L528WC60  
 151 GAL  
 MFG DATE  
 101N171 READ GEH-2743


**GE ENERGY**  
 FORT EDWARD, N.Y., U.S.A.

DRAWN	ACAD VBA	DATE	3/3/2010
ISSUED	RAH	DATE	3/3/2010

SIZE **A**  
 SCALE

WEIGHT	38.4 lbs
	17.5 kg

**OUTLINE**  
 54L528WC60

SHEET	2	COUNT	3
-------	---	-------	---