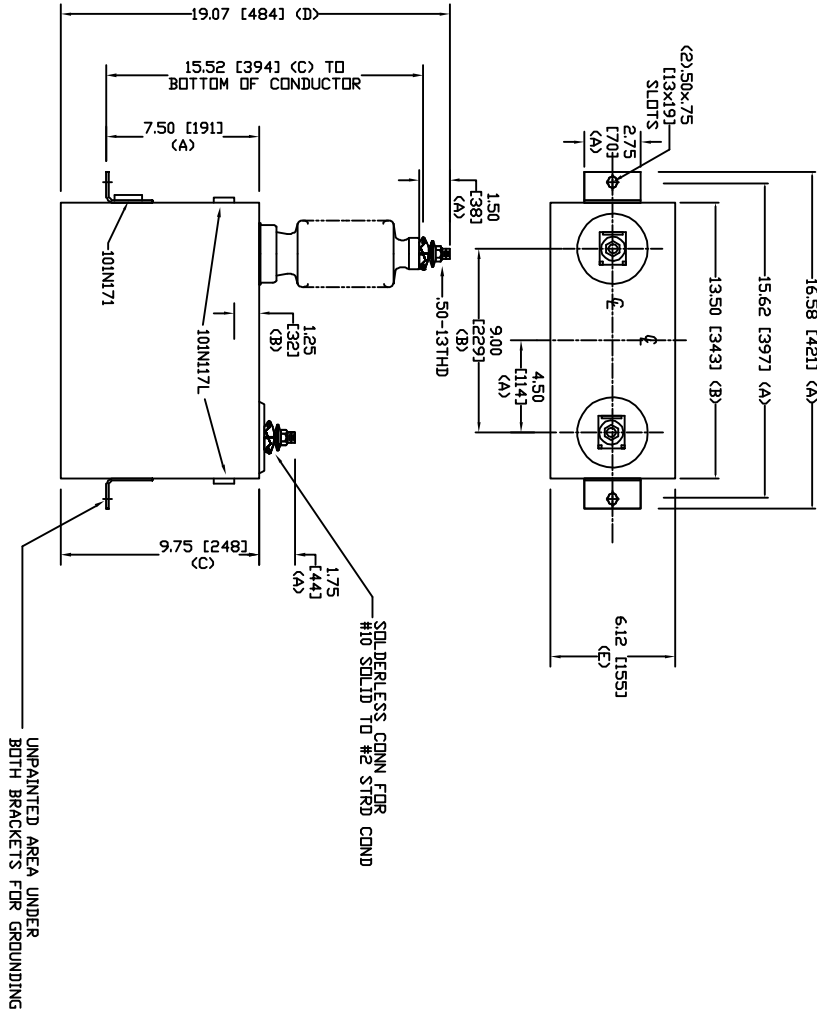


SIZE	DWG. NO.	SHT	REV
A	54L529WC60	2	0
REV	DESCRIPTION	DATE	APPROVED
0	New	7/25/2005	



TOL	in.	mm
A	.06	1.5
B	.12	3.0
C	.18	4.6
D	.25	6.4
E	+.5/-1	+13/-25

12470 V 1 PH 95 KVBL  
 150 KVAR 60 Hz  
 CAT. 54L529WC60  
 153 GAL  
 MFG DATE  
 101N171 READ GEH-2743

**GE ENERGY**  
**FORT EDWARD, N.Y., U.S.A.**

DRAWN	ACAD VBA	DATE	3/3/2010	SIZE	A	WEIGHT	44.2 lbs	<b>OUTLINE</b> <b>54L529WC60</b>
ISSUED	RAH	DATE	3/3/2010	SCALE		20.1 kg		

SHEET 2 OF 3  
 DISTR. TO 201