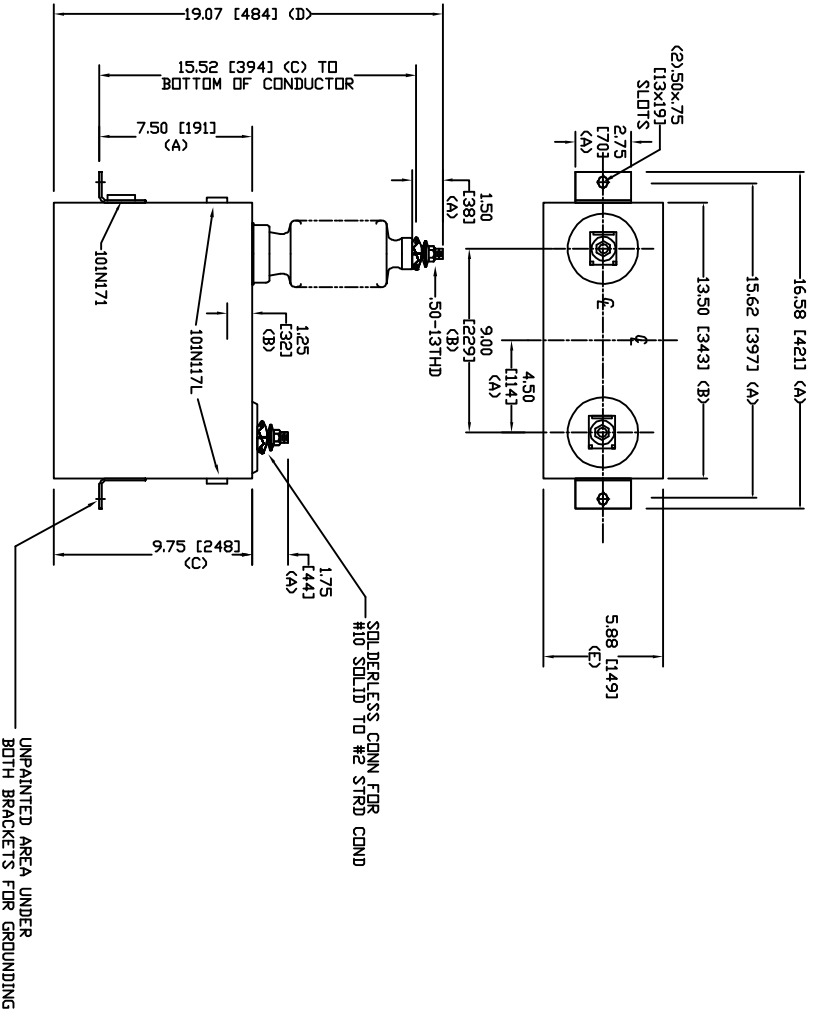


SIZE	DWG. NO.	SHT	REV
A	54L534WC60	2	0
REV	DESCRIPTION	DATE	APPROVED
0	New	7/25/2005	



TOL	in.	mm
A	.06	1.5
B	.12	3.0
C	.18	4.6
D	.25	6.4
E	+5/-1	+13/-25

9960 V 1 PH 95 KV/BIL
 150 KVAR 60 Hz
 CAT. 54L534WC60
 1.38 GAL
 MFG DATE
 101N171 READ GEH-2743

GE ENERGY FORT EDWARD, N.Y., U.S.A.		SIZE	WEIGHT	OUTLINE 54L534WC60	SHEET	CGNT
DRAWN	ACAD VBA	A	37.2 lbs 16.9 kg		2	3
ISSUED	RAH	SCALE				
DATE	DATE					
3/4/2010	3/4/2010					