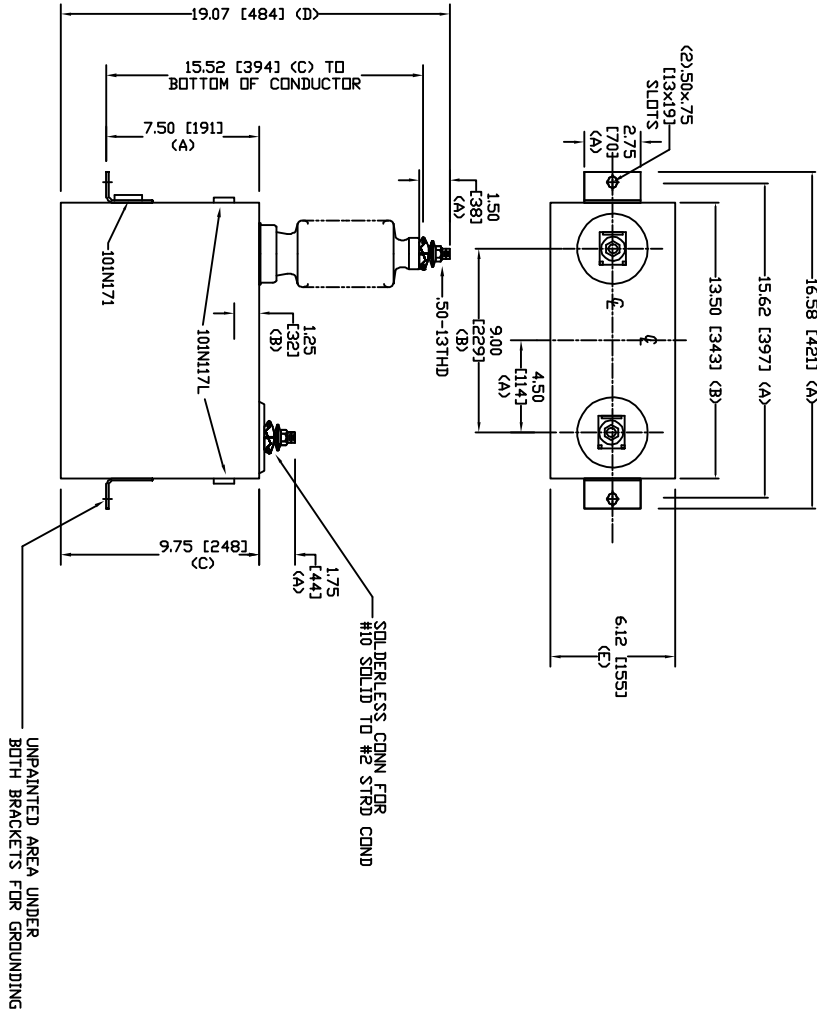


SIZE	DWG. NO.	SHT	REV
A	54LS35WC60	2	0
REV	DESCRIPTION	DATE	APPROVED
0	New	4/5/2006	



TOL	in.	mm
A	.06	1.5
B	.12	3.0
C	.18	4.6
D	.25	6.4
E	+.5/-1	+13/-25

8320 V 1 PH 95 KV/BIL  
 150 KVAR 60 Hz  
 CAT. 54LS35WC60  
 151 GAL  
 MFG DATE  
 101N171 READ GEH-2743

GE ENERGY FORT EDWARD, N.Y., U.S.A.		SIZE	A	WEIGHT	38.2 lbs 17.4 kg	OUTLINE 54LS35WC60	
DRAWN	ACAD VBA	SCALE				SHEET	2
ISSUED	RAH	DATE	3/4/2010			CGNT	3