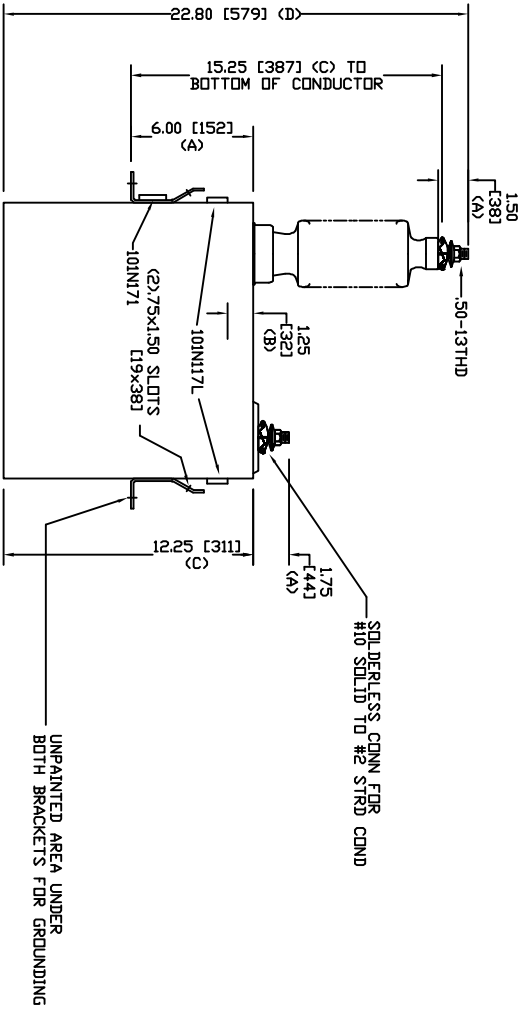
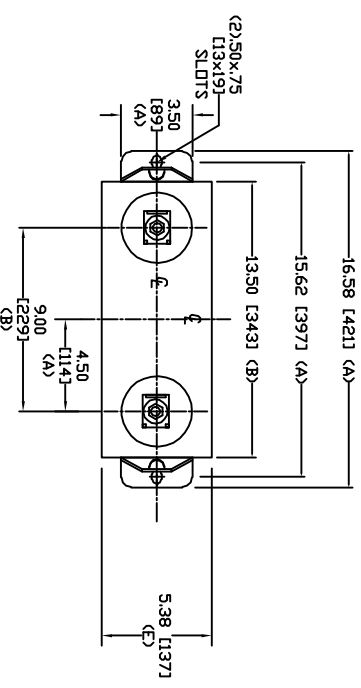


SIZE	DWG NO	SHT	REV
A	S4L556WC10	2	0
REV	DESCRIPTION	DATE	APPROVED
0	New	2/23/2006	



TOL	In.	mm
A	.06	1.5
B	.12	3.0
C	.18	4.6
D	.25	6.4
E	+.5/-1	+13/-25

21600 V 1 PH 150 KV/BIL
 150 KVAR
 CAT. S4L556WC10
 163 GAL
 MFG DATE
 101N171 READ GEH-2743

INDUSTRIAL SYSTEMS FORT EDWARD, N.Y., U.S.A.		SIZE	A	WEIGHT	44 lbs 20 kg	OUTLINE S4L556WC10	
DRAWN	ACAD VBA	DATE	5/15/2008	SCALE		SHEET	2
ISSUED	RAH	DATE	5/15/2008			CGNT	3