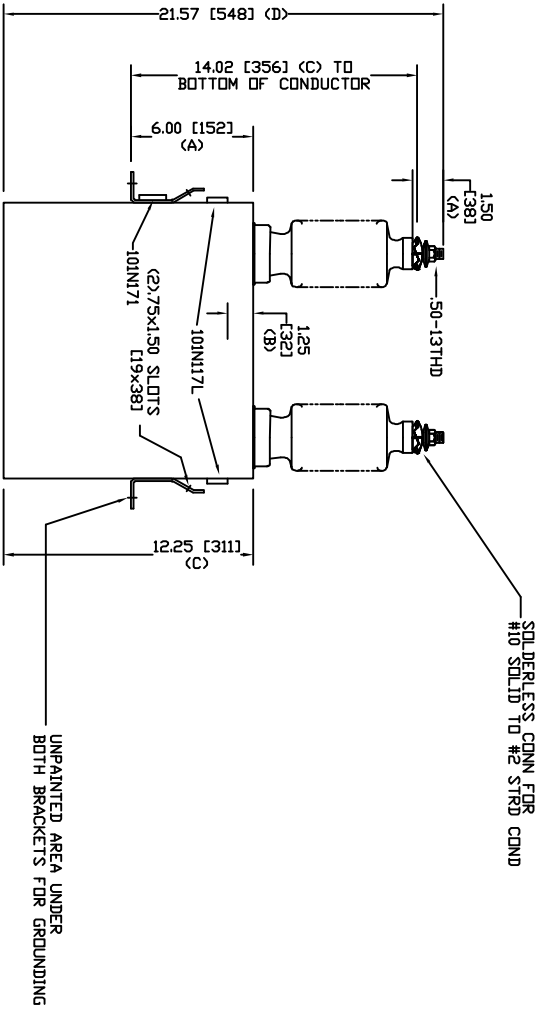
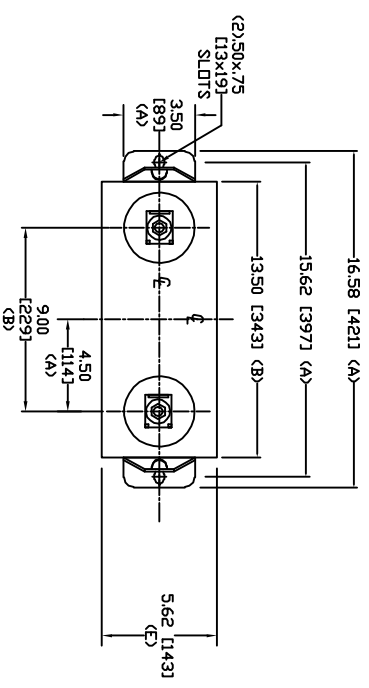


SIZE	DWG. NO.	SHT	REV
A	58L101WC62	2	0
REV	DESCRIPTION	DATE	APPROVED
0	New	4/27/2006	



SOLDERLESS CONN. FOR #10 SOLID TO #2 STRD COND

TOL	In.	mm
A	.06	1.5
B	.12	3.0
C	.18	4.6
D	.25	6.4
E	+.5/-1	+13/-25

2400 V 1 PH 95 KVBL
 200 KVAR 60 Hz
 CAT. 58L101WC62
 1.7 GAL
 MFG DATE
 101N171 READ GEH-2743

12" Creep, 95 KVBL Bushing

GE ENERGY
 FORT EDWARD, N.Y., U.S.A.

DRAWN ACAD VBA DATE 5/26/99
 ISSUED RAH DATE 5/26/99

SIZE A WEIGHT 49.8 lbs
 SCALE 22.6 kg

OUTLINE
 58L101WC62

SHEET 2 CGNT 3