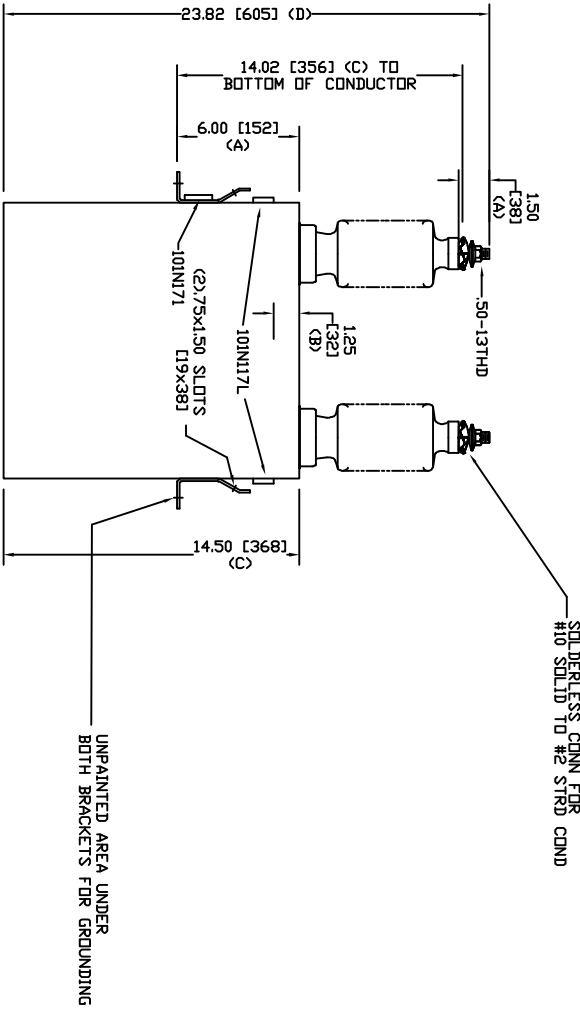
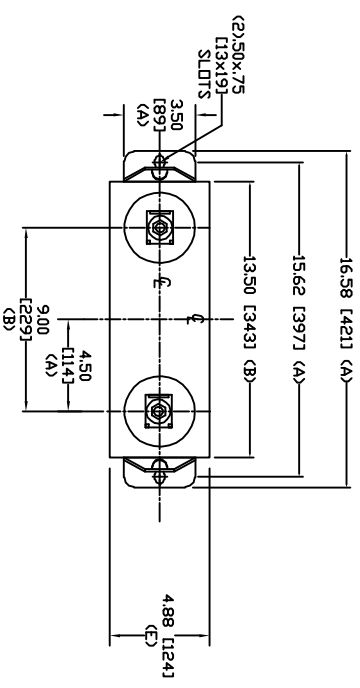


SIZE	DWG. NO.	SHT	REV
A	58L102WC60	2	0
REV	DESCRIPTION	DATE	APPROVED
0	New	0	



SOLDERLESS CONN. FOR #10 SOLID TO #2 STRD COND

TOL	In.	mm
A	.06	1.5
B	.12	3.0
C	.18	4.6
D	.25	6.4
E	+5/-1	+13/-25

2770 V 1 PH 95 KV/BIL
 200 KVAR 60 Hz
 CAT. 58L102WC60
 167 GAL
 MFG DATE
 101N171 READ GEH-2743

GE ENERGY FORT EDWARD, N.Y., U.S.A.		SIZE	A
DRAWN	ACAD VBA	DATE	8/19/2008
ISSUED	RAH	DATE	8/19/2008
WEIGHT 42.6 lbs 19.4 kg		SCALE	
OUTLINE 58L102WC60		SHEET	2
		CGNT	3