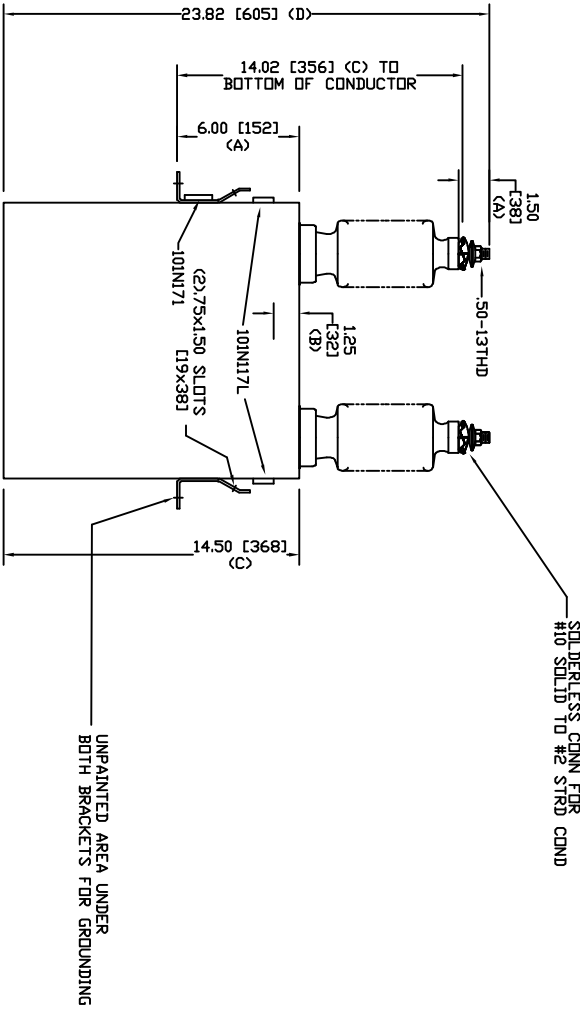
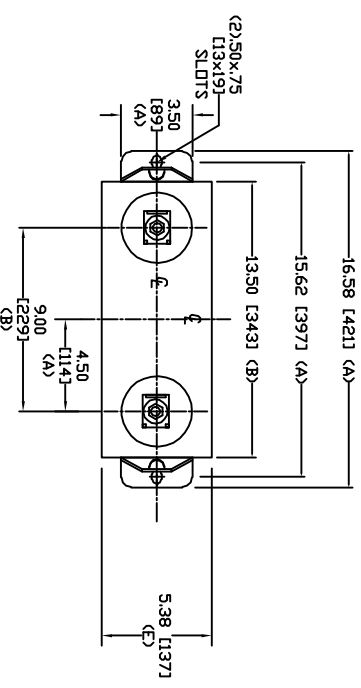



SIZE	DWG. NO.	SHT	REV
A	S8L103WC10	2	0
REV	DESCRIPTION	DATE	APPROVED
0	New	3/1/2006	



TOL	In.	mm
A	.06	1.5
B	.12	3.0
C	.18	4.6
D	.25	6.4
E	+5/-1	+13/-25

4160 V 1 PH 95 KV/BIL
 200 KVAR 60 Hz
 CAT. S8L103WC10
 181 GAL
 MFG DATE
 101N171 READ GEH-2743


GE ENERGY
FORT EDWARD, N.Y., U.S.A.

DRAWN	ACAD VBA	DATE	3/12/2010
ISSUED	RAH	DATE	3/12/2010

SIZE **A** WEIGHT 47.6 lbs 21.6 kg
 SCALE
OUTLINE
S8L103WC10 SHEET 2 OF 3