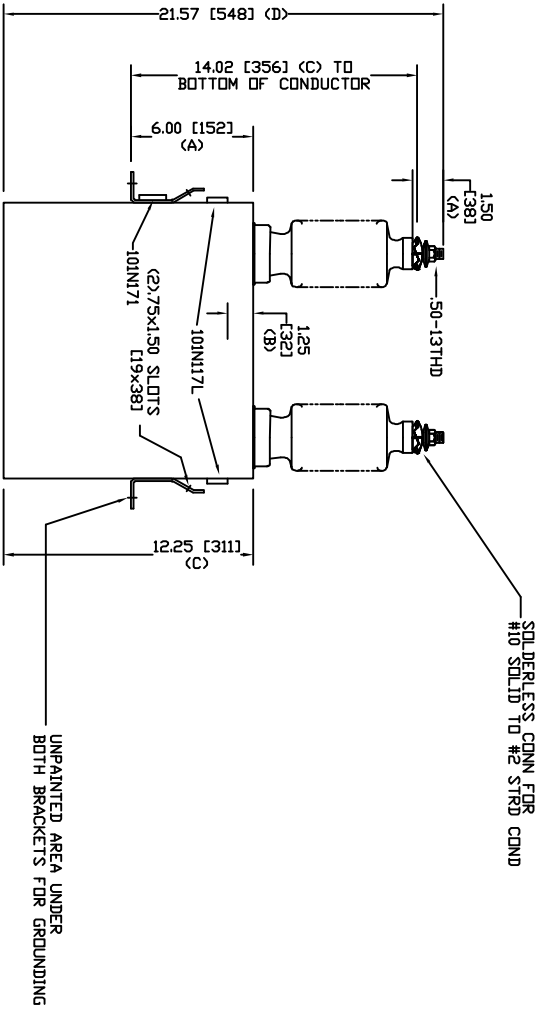
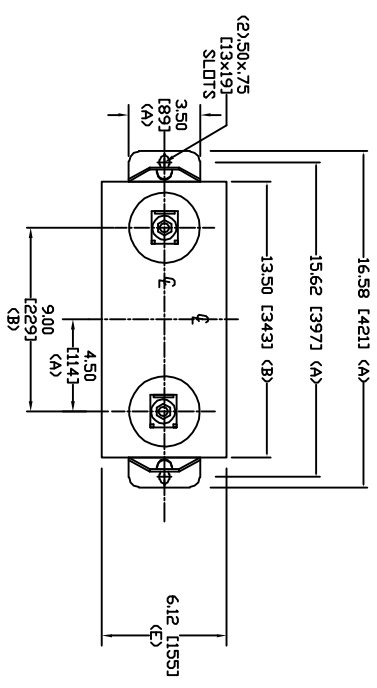


SIZE	DWG. NO.	SHT	REV
A	58L103WC60	2	0
REV	DESCRIPTION	DATE	APPROVED
0	New	3/1/2006	



TOL	In.	mm
A	.06	1.5
B	.12	3.0
C	.18	4.6
D	.25	6.4
E	+.5/-1	+13/-25

4160 V 1 PH 95 KV/BIL
 200 KVAR 60 Hz
 CAT. 58L103WC60
 1.89 GAL
 MFG DATE
 101N171 READ GEH-2743

GE ENERGY FORT EDWARD, N.Y., U.S.A.		SIZE	A	WEIGHT	46.8 lbs 21.3 kg	OUTLINE 58L103WC60	
DRAWN	ACAD VBA	DATE	2/12/2010	SCALE		SHEET	2
ISSUED	RAH	DATE	2/12/2010			CGNT	3