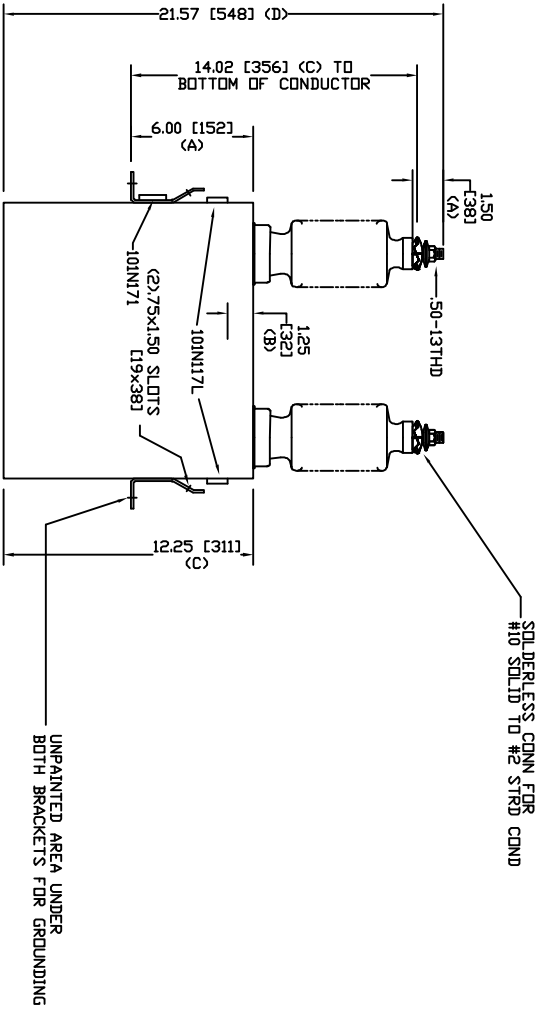
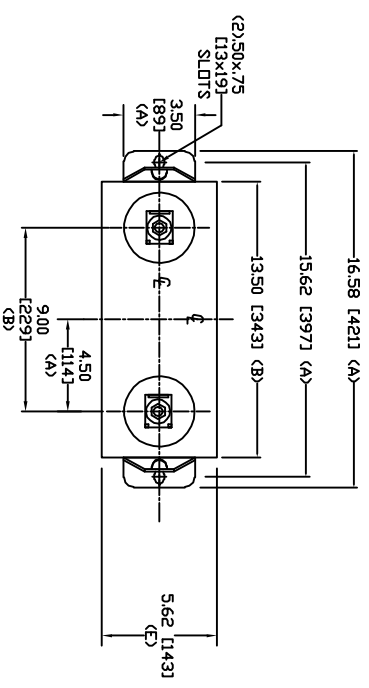


SIZE	DWG. NO.	SHT	REV
A	58L104WC62	2	0
REV	DESCRIPTION	DATE	APPROVED
0	New	7/5/2006	



TOL	In.	mm
A	.06	1.5
B	.12	3.0
C	.18	4.6
D	.25	6.4
E	+.5/-1	+13/-25

4800 V 1 PH 95 KVBL
 200 KVAR 60 Hz
 CAT. 58L104WC62
 1.7 GAL
 MFG DATE
 101N171 READ GEH-2743

GE ENERGY FORT EDWARD, N.Y., U.S.A.		SIZE	A
DRAWN	ACAD VBA	DATE	9/30/99
ISSUED	RAH	DATE	9/30/99
OUTLINE 58L104WC62		WEIGHT	49.7 lbs 22.6 kg
DISTR. TO		SHEET	2
201		CGNT	3