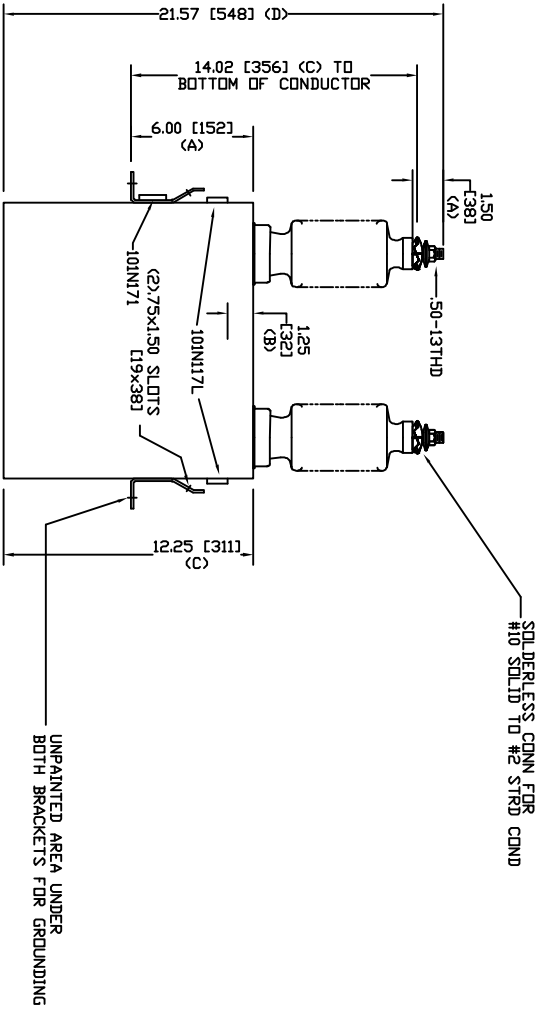
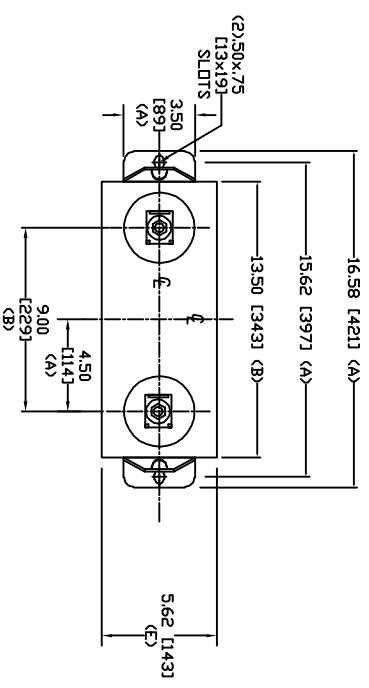


SIZE	DWG. NO.	SHT	REV
A	58L105WC60	2	0
REV	DESCRIPTION	DATE	APPROVED
0	New	8/9/2006	



TOL	In.	mm
A	.06	1.5
B	.12	3.0
C	.18	4.6
D	.25	6.4
E	+.5/-1	+13/-25

6640 V 1 PH 95 KV/BIL  
 200 KVAR 60 Hz  
 CAT. 58L105WC60  
 167 GAL  
 MFG DATE  
 101N171 READ GEH-2743

<b>GE ENERGY</b> <b>FORT EDWARD, N.Y., U.S.A.</b>		SIZE	A
DRAWN	ACAD VBA	DATE	2/24/2010
ISSUED	RAH	DATE	2/24/2010
WEIGHT		43.3 lbs	
SCALE		19.7 kg	
DISTR. TO		201	
SHEET		2	CENT
DWT		3	
<h1>OUTLINE</h1> <h2>58L105WC60</h2>			