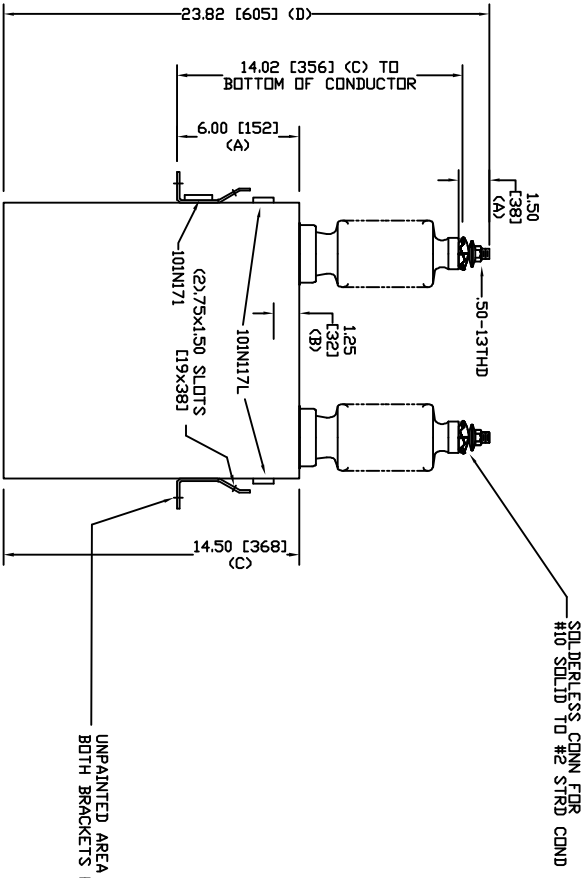
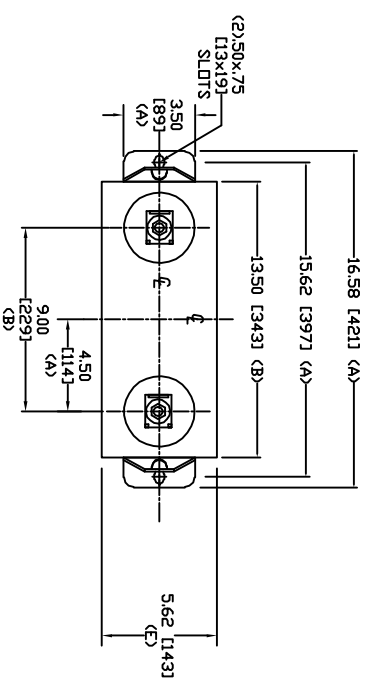


SIZE	DWG. NO.	SHT	REV
A	S8L106WC10	2	0
REV	DESCRIPTION	DATE	APPROVED
0	New	5/18/2009	



TOL	In.	mm
A	.06	1.5
B	.12	3.0
C	.18	4.6
D	.25	6.4
E	+5/-1	+13/-25

7200 V 1 PH 95 KV/BIL
 200 KVAR 60 Hz
 CAT. S8L106WC10
 188 GAL
 MFG DATE
 101N171 READ GEH-2743

GE ENERGY
FORT EDWARD, N.Y., U.S.A.

GE Logo

DRAWN ACAD VBA DATE 5/18/2009
 ISSUED RAH DATE 5/18/2009

SIZE **A** WEIGHT 50.2 lbs 22.8 kg

OUTLINE
S8L106WC10

SHEET 2 OF 3