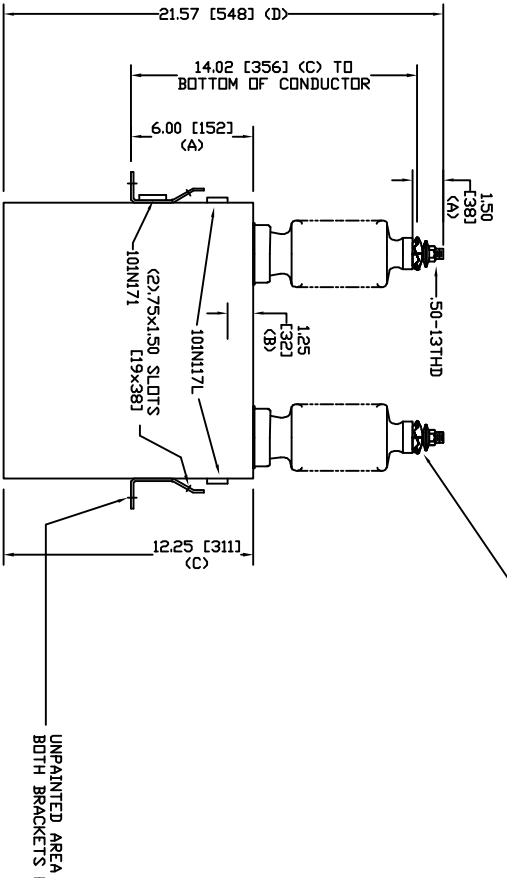
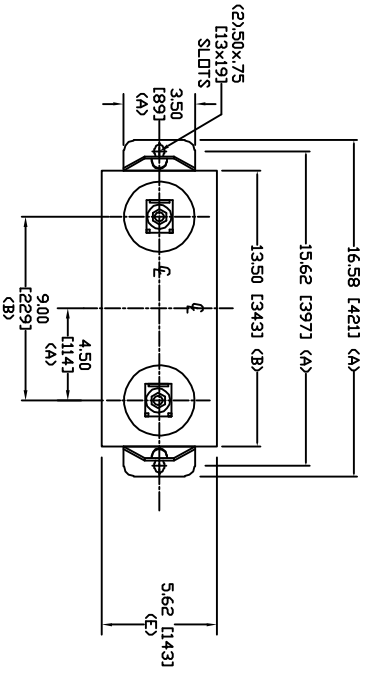


SIZE	DWG. NO.	SHT	REV
A	58L106WC60	2	0
REV	DESCRIPTION	DATE	APPROVED
0	New	2/3/2006	



UNPAINTED AREA UNDER BOTH BRACKETS FOR GROUNDING

TOL	In.	mm
A	.06	1.5
B	.12	3.0
C	.18	4.6
D	.25	6.4
E	+5/-1	+13/-25

7200 V 1 PH 95 KVBL  
 200 KVAR 60 Hz  
 CAT. 58L106WC60  
 1.71 GAL  
 MFG DATE  
 101N171 READ GEH-2743

<b>GE ENERGY</b> <b>FORT EDWARD, N.Y., U.S.A.</b>		SIZE	A
DRAWN	ACAD VBA	DATE	11/26/03
ISSUED	RAH	DATE	11/26/03
<b>OUTLINE</b> <b>58L106WC60</b>		WEIGHT	43 lbs 19.5 kg
DISTR. TO		SHEET	2
201		CGNT	3