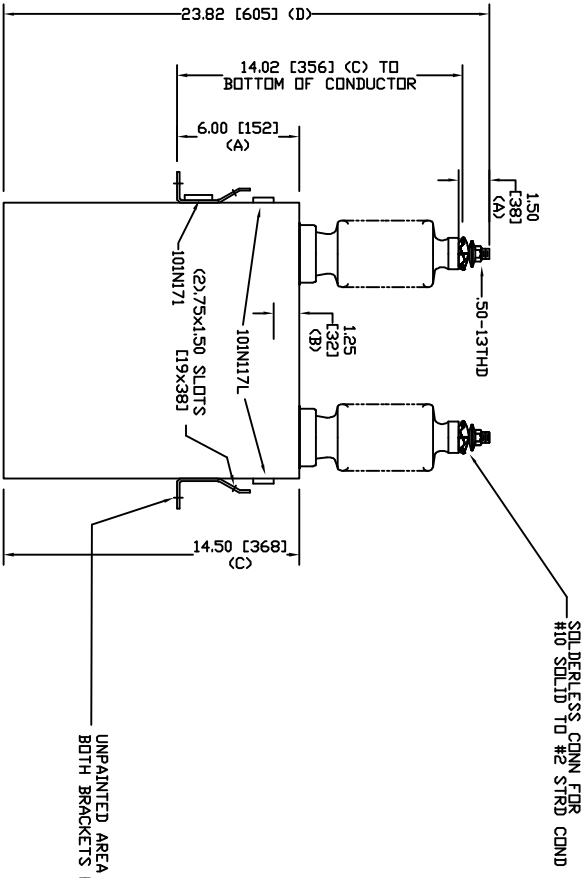
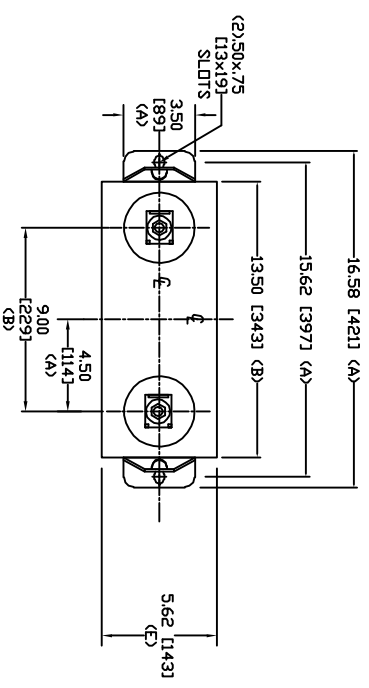



SIZE	DWG. NO.	SHT	REV
A	S8L107WC10	2	0
REV	DESCRIPTION	DATE	APPROVED
0	New	5/9/2005	



TOL	in.	mm
A	.06	1.5
B	.12	3.0
C	.18	4.6
D	.25	6.4
E	+.5/-1	+13/-25

7620 V 1 PH 95 KV/BIL
 200 KVAR 60 Hz
 CAT. S8L107WC10
 1.96 GAL
 MFG DATE
 101N171 READ GEH-2743


GE ENERGY
 FORT EDWARD, N.Y., U.S.A.

DRAWN	ACAD VBA	DATE	10/7/2010
ISSUED	RAH	DATE	10/7/2010

SIZE **A** WEIGHT 52.9 lbs 24 kg
 SCALE
OUTLINE
 S8L107WC10
 SHEET 2 OF 3