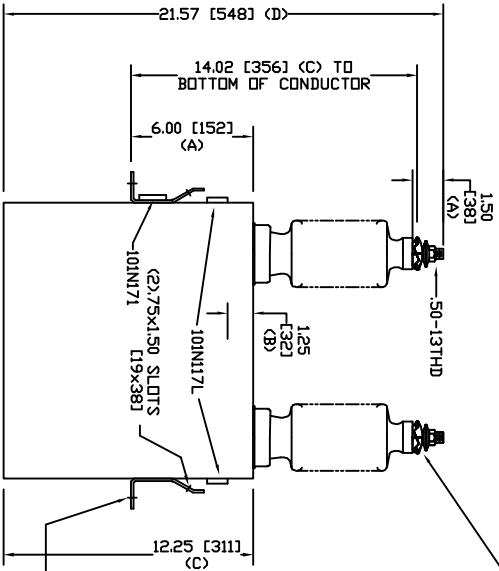
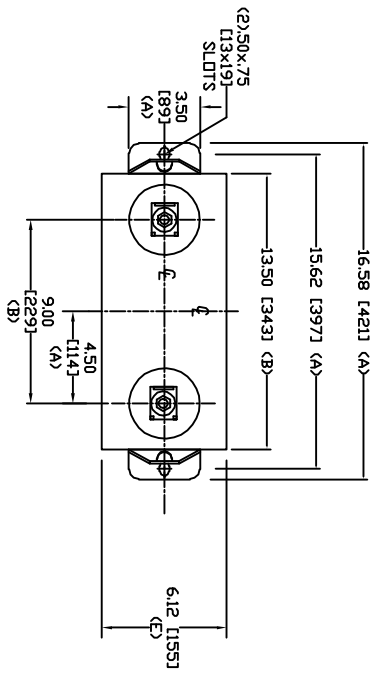


SIZE	DWG. NO.	SHT	REV
A	58L108WC60	2	0
REV	DESCRIPTION	DATE	APPROVED
0	New	7/17/2006	



SOLDERLESS CONN. FOR #10 SOLDER TO #2 STRD COND

UNPAINTED AREA UNDER BOTH BRACKETS FOR GROUNDING

TOL	In.	mm
A	.06	1.5
B	.12	3.0
C	.18	4.6
D	.25	6.4
E	+.5/-1	+13/-25

7960 V 1 PH 95 KV/BIL
 200 KVAR 60 Hz
 CAT. 58L108WC60
 1.89 GAL
 MFG DATE
 101N171 READ GEH-2743

GE ENERGY FORT EDWARD, N.Y., U.S.A.		SIZE	A	WEIGHT	47.1 lbs 21.4 kg	OUTLINE 58L108WC60	SHEET	2	CGNT	3
DRAWN	ACAD VBA	DATE	10/1/98	SCALE						
ISSUED	RAH	DATE	10/1/98							