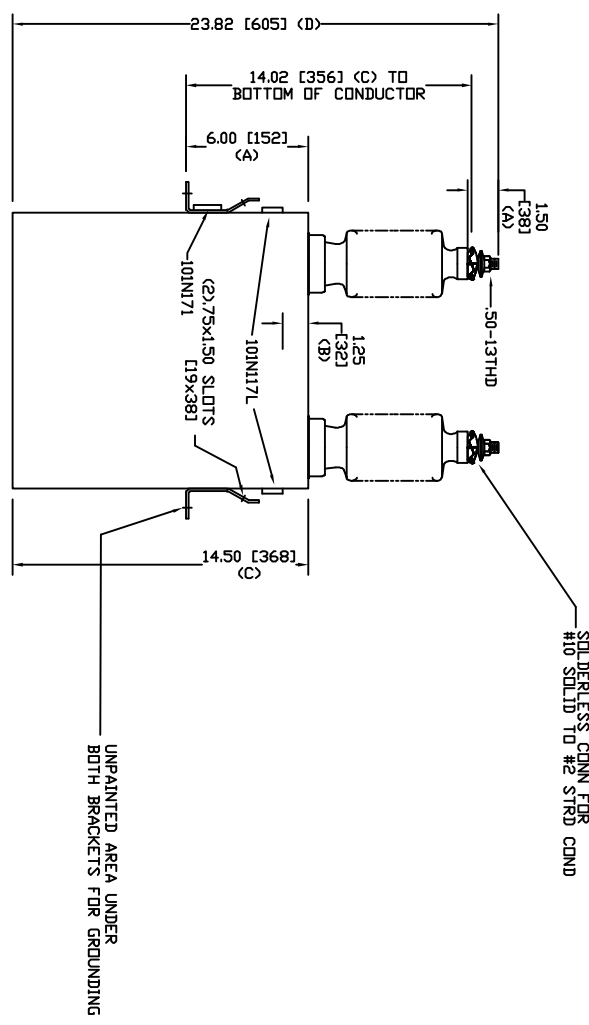
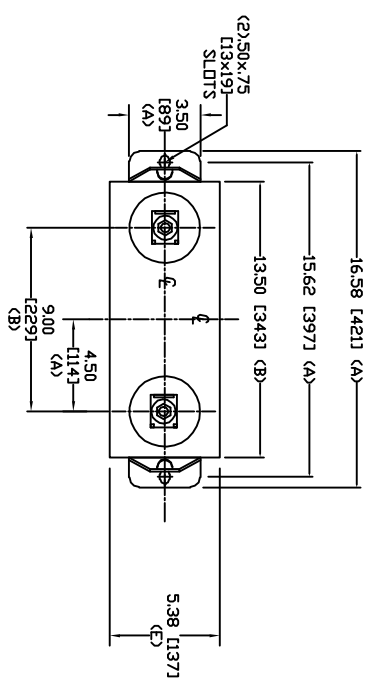


SIZE	DWG. NO.	SHT	REV
A	S8L109WC10	2	0
REV	DESCRIPTION	DATE	APPROVED
0	New	1/31/2006	



SOLDERLESS CONN. FOR #10 SOLID TO #2 STRD COND

TOL	In.	mm
A	.06	1.5
B	.12	3.0
C	.18	4.6
D	.25	6.4
E	+5/-1	+13/-25

8320 V 1 PH 95 KV/BIL
 200 KVAR 60 Hz
 CAT. S8L109WC10
 182 GAL
 MFG DATE
 101N171 READ GEH-2743

GE ENERGY FORT EDWARD, N.Y., U.S.A.		SIZE	A
DRAWN	ACAD VBA	WEIGHT	47.6 lbs 21.6 kg
ISSUED	RAH	SCALE	
DATE	5/2/2010	OUTLINE S8L109WC10	
DATE	5/2/2010		
SHEET	2	CNT	3