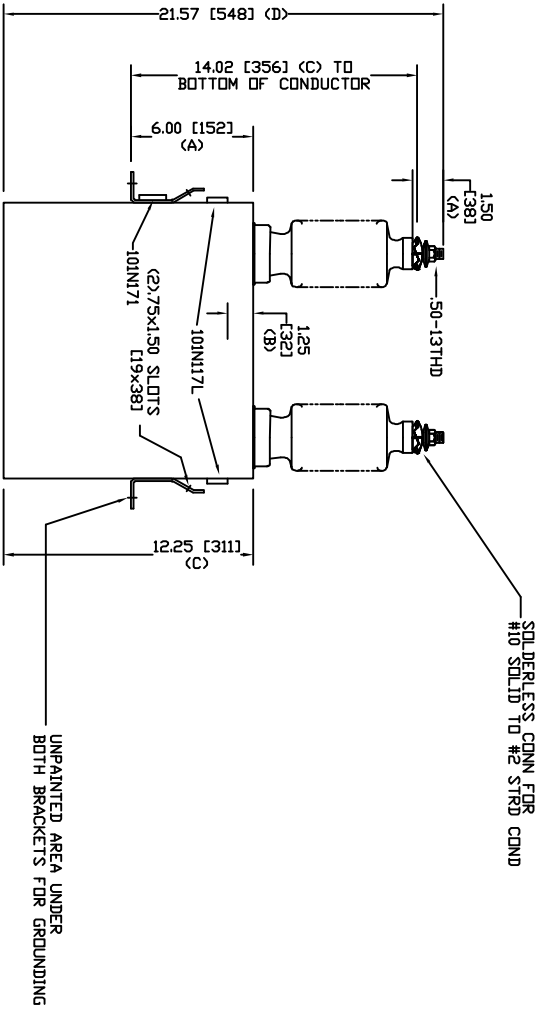
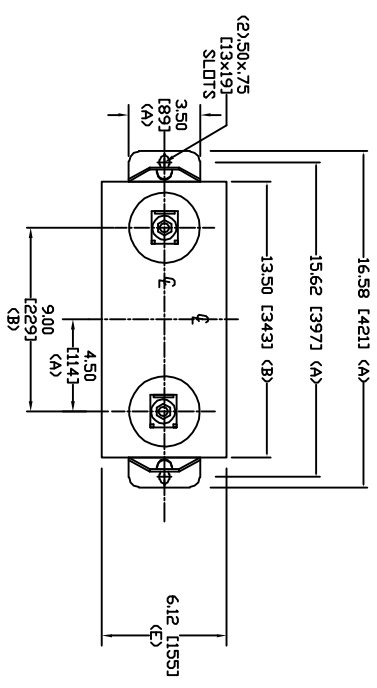


SIZE	DWG. NO.	SHT	REV
A	58L109WC60	2	0
REV	DESCRIPTION	DATE	APPROVED
0	New	1/31/2006	



TOL	In.	mm
A	.06	1.5
B	.12	3.0
C	.18	4.6
D	.25	6.4
E	+.5/-1	+13/-25

8320 V 1 PH 95 KV/BIL  
 200 KVAR 60 Hz  
 CAT. 58L109WC60  
 1.9 GAL  
 MFG DATE  
 101N171 READ GEH-2743

**GE ENERGY**  
**FORT EDWARD, N.Y., U.S.A.**

GE Logo

SIZE **A**

WEIGHT 46.9 lbs  
 21.3 kg

DRAWN ACAD VBA DATE 2/12/2010

ISSUED RAH DATE 2/12/2010

SHEET 2 OF 3

DISTR. TO 201

**OUTLINE**  
**58L109WC60**