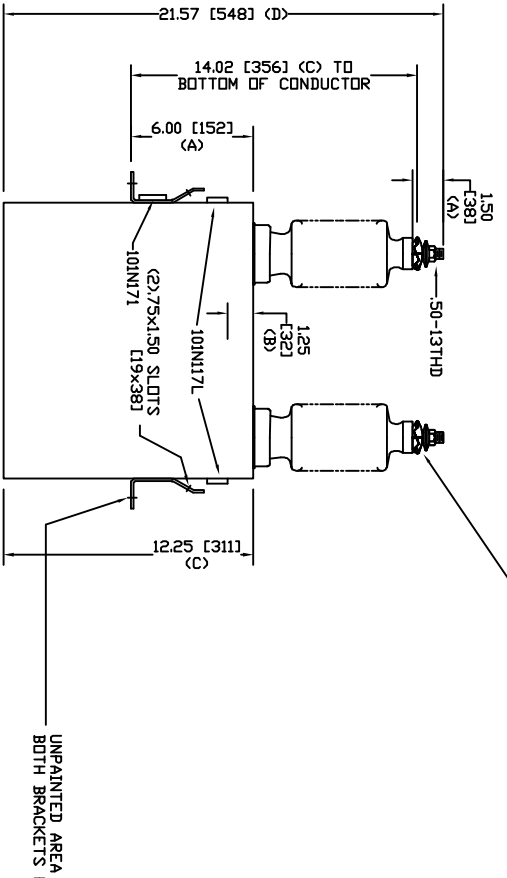
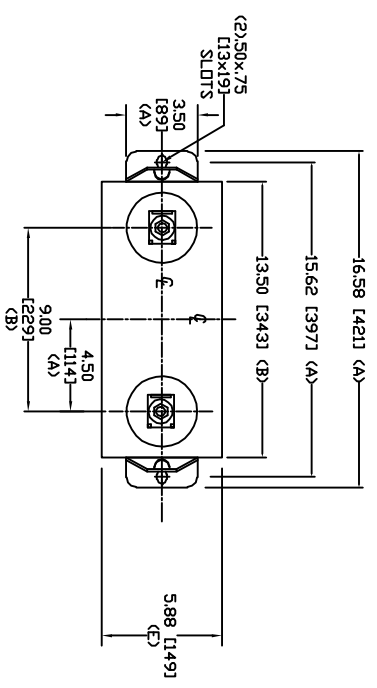


SIZE	DWG. NO.	SHT	REV
A	58L110WC60	2	0
REV	DESCRIPTION	DATE	APPROVED
0	New	2/10/2006	



UNPAINTED AREA UNDER BOTH BRACKETS FOR GROUNDING

TOL	In.	mm
A	.06	1.5
B	.12	3.0
C	.18	4.6
D	.25	6.4
E	+.5/-1	+13/-25

9960 V 1 PH 95 KV/BIL
 200 KVAR 60 Hz
 CAT. 58L110WC60
 1.74 GAL
 MFG DATE
 101N171 READ GEH-2743

GE ENERGY FORT EDWARD, N.Y., U.S.A.		SIZE	A
DRAWN	ACAD VBA	WEIGHT	45.6 lbs
ISSUED	RAH	SCALE	20.7 kg
DATE	2/24/2010	OUTLINE 58L110WC60	
DATE	2/24/2010		
		SHEET	2
		CGNT	3