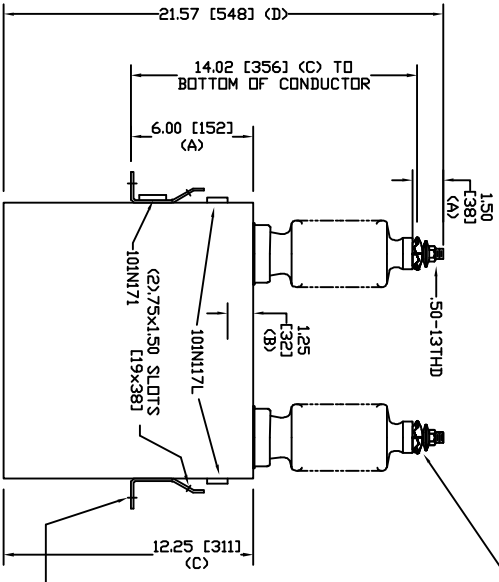
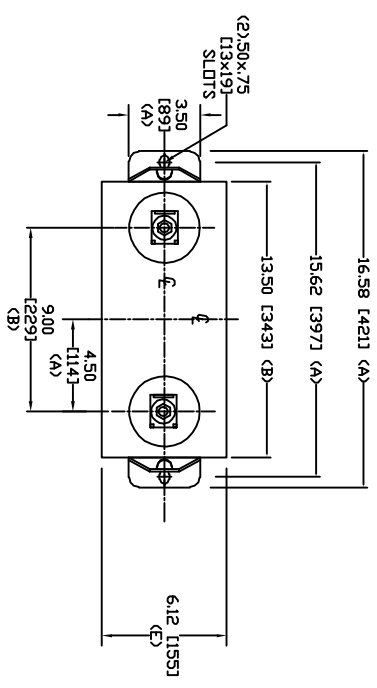


SIZE	DWG. NO.	SHT	REV
A	58L111WC60	2	0
REV	DESCRIPTION	DATE	APPROVED
0	New	3/7/2006	



SOLDERLESS CONN. FOR #10 SOLID TO #2 STRD COND

UNPAINTED AREA UNDER BOTH BRACKETS FOR GROUNDING

TOL	In.	mm
A	.06	1.5
B	.12	3.0
C	.18	4.6
D	.25	6.4
E	+.5/-1	+13/-25

12470 V 1 PH 95 KVBL  
 200 KVAR 60 Hz  
 CAT. 58L111WC60  
 1.88 GAL  
 MFG DATE  
 101N171 READ GEH-2743



GE ENERGY  
 FORT EDWARD, N.Y., U.S.A.

DRAWN ACAD VBA DATE 2/24/2010  
 ISSUED RAH DATE 2/24/2010

SIZE A  
 WEIGHT 47 lbs  
 21.4 kg

OUTLINE  
 58L111WC60

SHEET 2 OF 3