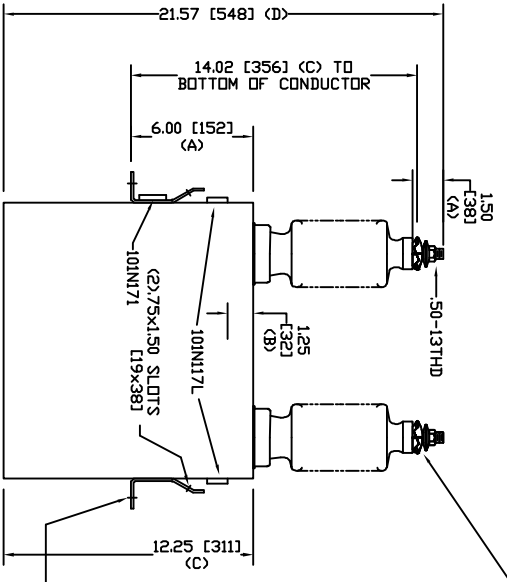
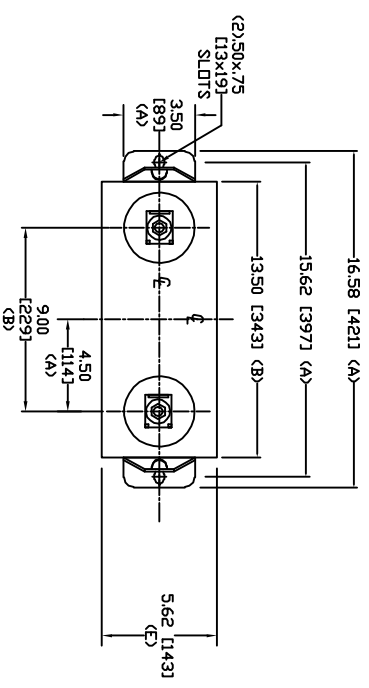


SIZE	DWG NO	SHT	REV
A	58L113WC60	2	0
REV	DESCRIPTION	DATE	APPROVED
0	New	3/7/2006	



SOLDERLESS CONN FOR #10 SOLDER TO #2 STRD COND

UNPAINTED AREA UNDER BOTH BRACKETS FOR GROUNDING

TOL	In.	mm
A	.06	1.5
B	.12	3.0
C	.18	4.6
D	.25	6.4
E	+.5/-1	+13/-25

13800 V 1 PH 95 KVBL
 200 KVAR 60 Hz
 CAT. 58L113WC60
 166 GAL
 MFG DATE
 101N171 READ GEH-2743

GE ENERGY FORT EDWARD, N.Y., U.S.A.		SIZE	A
DRAWN	ACAD VBA	DATE	2/19/2010
ISSUED	RAH	DATE	2/19/2010
WEIGHT 43.3 lbs 19.7 kg		SCALE A	
OUTLINE 58L113WC60		SHEET	2
		CGNT	3