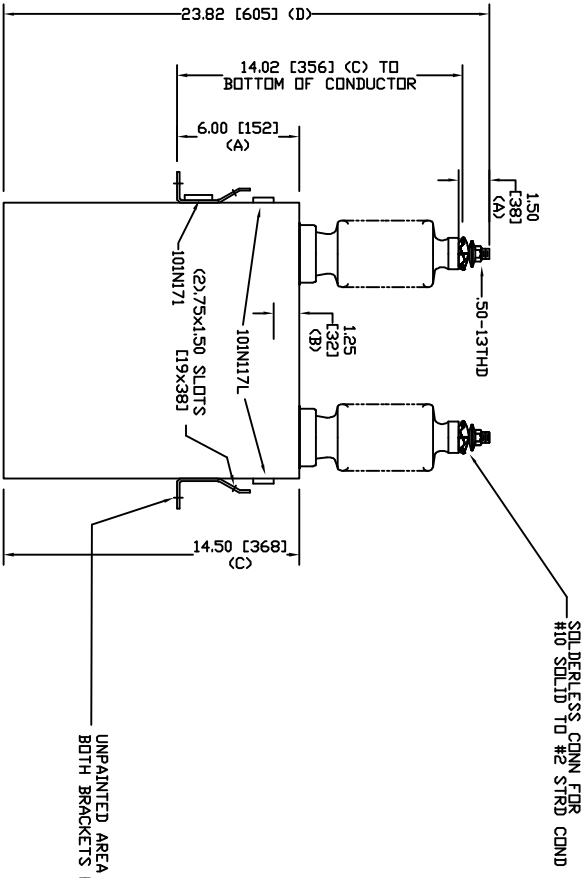
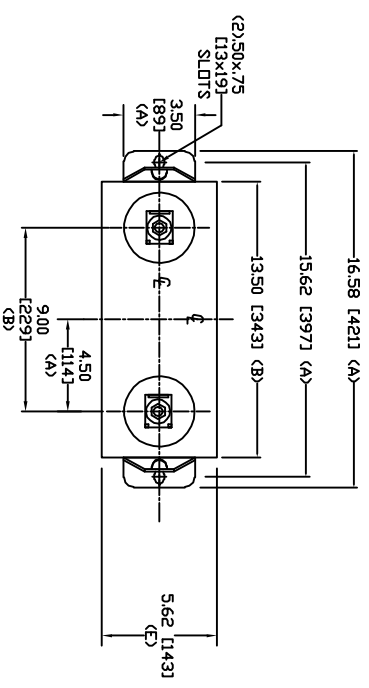



SIZE	DWG. NO.	SHT	REV
A	S8L114WC10	2	0
REV	DESCRIPTION	DATE	APPROVED
0	New	2/21/2006	



TOL	In.	mm
A	.06	1.5
B	.12	3.0
C	.18	4.6
D	.25	6.4
E	+5/-1	+13/-25

14400 V 1 PH 95 KV/BIL
 200 KVAR 60 Hz
 CAT. S8L114WC10
 1.94 GAL
 MFG DATE
 101N171 READ GEH-2743


GE ENERGY
FORT EDWARD, N.Y., U.S.A.

DRAWN	ACAD VBA	DATE	5/27/2008	SIZE	A	WEIGHT	49.6 lbs 22.5 kg	OUTLINE S8L114WC10			
ISSUED	RAH	DATE	5/27/2008	SCALE							
								SHEET	2	CQNT	3