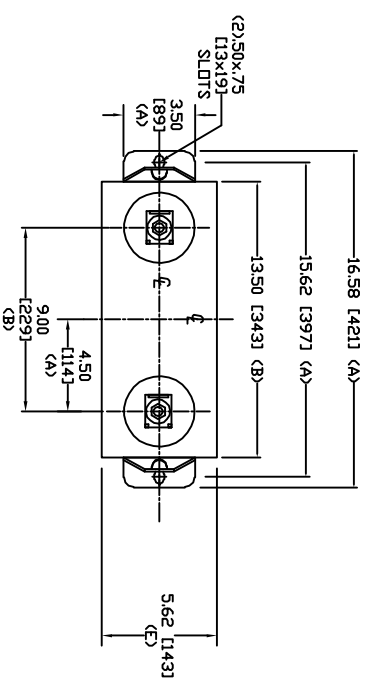
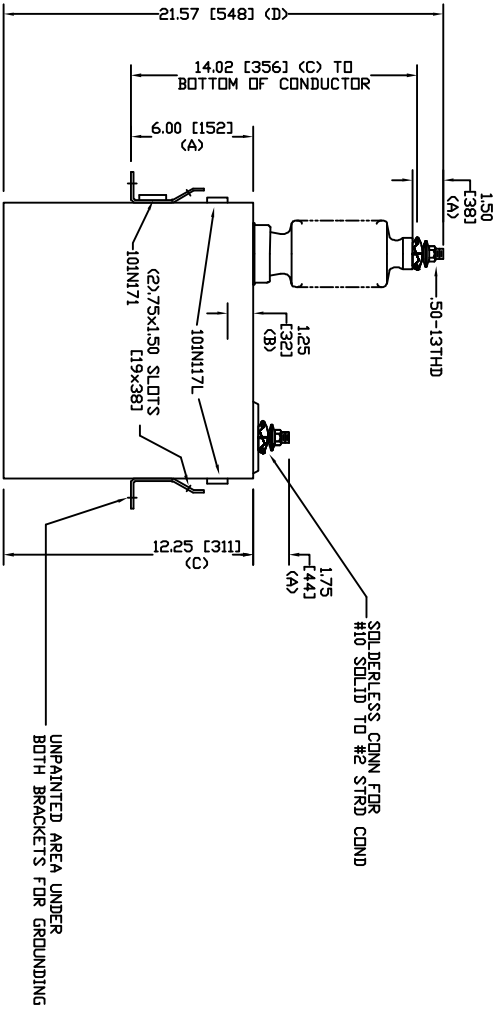


SIZE	DWG. NO.	SHT	REV
A	58L121WC62	2	0
REV	DESCRIPTION	DATE	APPROVED
0	New	11/14/2007	



TOL	In.	mm
A	.06	1.5
B	.12	3.0
C	.18	4.6
D	.25	6.4
E	+.5/-1	+13/-25



2400 V 1 PH 95 KVBL  
 200 KVAR 60 Hz  
 CAT. 58L121WC62  
 1.7 GAL  
 MFG DATE  
 101N171 READ GEH-2743

<b>GE ENERGY</b> <b>FORT EDWARD, N.Y., U.S.A.</b>		SIZE	A
DRAWN	ACAD VBA	DATE	11/14/2007
ISSUED	RAH	DATE	11/14/2007
<b>WEIGHT</b> 49.8 lbs 22.6 kg		<b>SCALE</b> A	
<b>DUTLINE</b> 58L121WC62		SHEET	2
DISTR. TO		CGNT	3