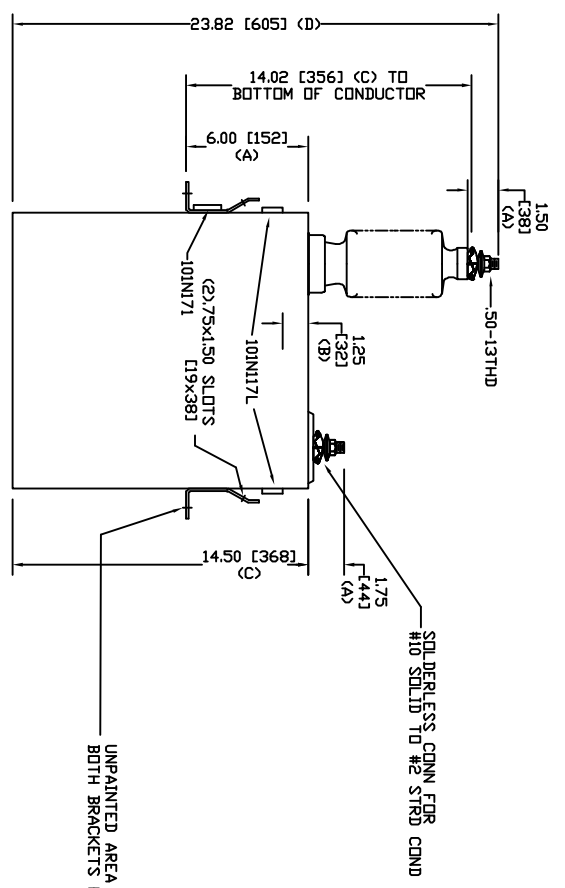
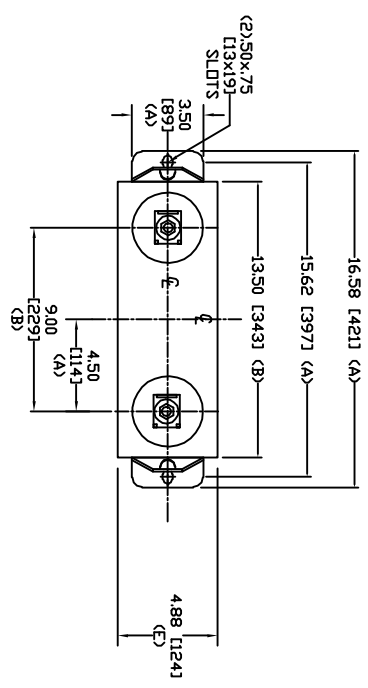



SIZE	DWG. NO.	SHT	REV
A	58L122WC60	2	0
REV	DESCRIPTION	DATE	APPROVED
0	New	0	



TOL	In.	mm
A	.06	1.5
B	.12	3.0
C	.18	4.6
D	.25	6.4
E	+5/-1	+13/-25

2770 V 1 PH 95 KV/BIL  
 200 KVAR 60 Hz  
 CAT. 58L122WC60  
 167 GAL  
 MFG DATE  
 101N171 READ GEH-2743


**GE ENERGY**  
**FORT EDWARD, N.Y., U.S.A.**

DRAWN	ACAD VBA	DATE	8/19/2008
ISSUED	RAH	DATE	8/19/2008

SIZE **A** WEIGHT 42.7 lbs  
 SCALE 19.4 kg

**OUTLINE**  
**58L122WC60**

SHEET 2 OF 3