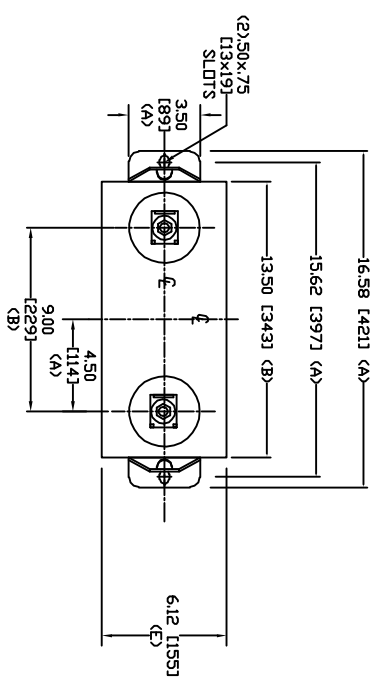
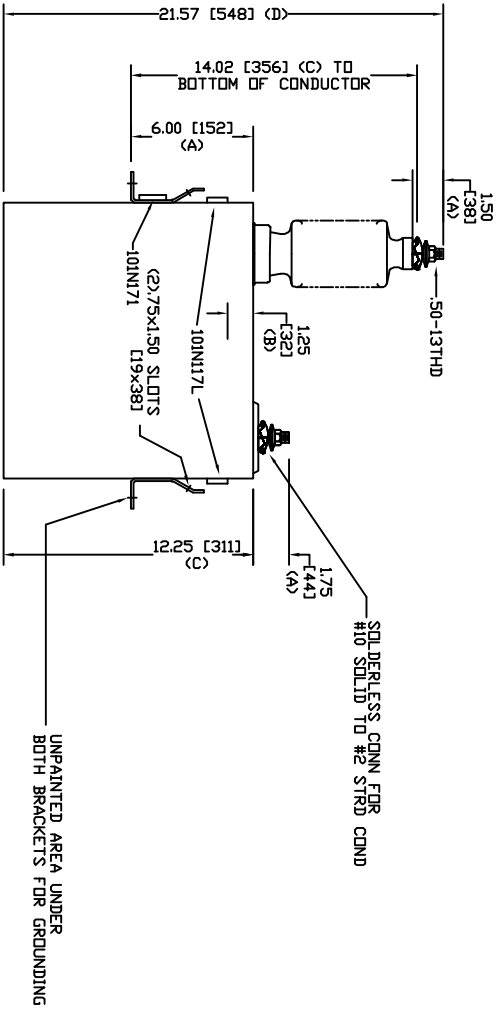



SIZE	DWG. NO.	SHT	REV
A	58L123WC60	2	0
REV	DESCRIPTION	DATE	APPROVED
0	New	3/1/2006	



TOL	In.	mm
A	.06	1.5
B	.12	3.0
C	.18	4.6
D	.25	6.4
E	+.5/-1	+13/-25



4160 V 1 PH 95 KV/BIL
 200 KVAR 60 Hz
 CAT. 58L123WC60
 189 GAL
 MFG DATE
 101N171 READ GEH-2743


GE ENERGY
FORT EDWARD, N.Y., U.S.A.

DRAWN	ACAD VBA	DATE	2/24/2010
ISSUED	RAH	DATE	2/24/2010

SIZE **A** WEIGHT 46.9 lbs 21.3 kg

OUTLINE
58L123WC60

SHEET 2 OF 3