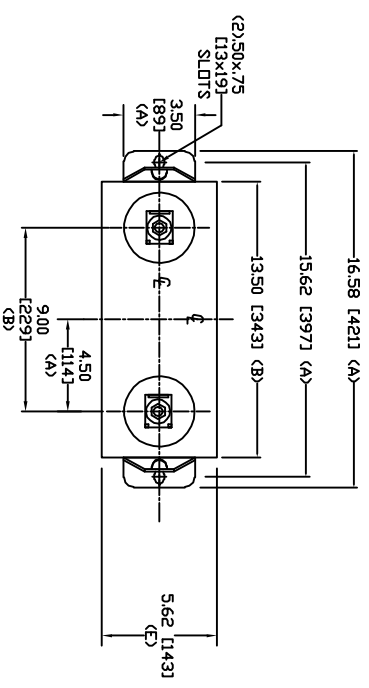
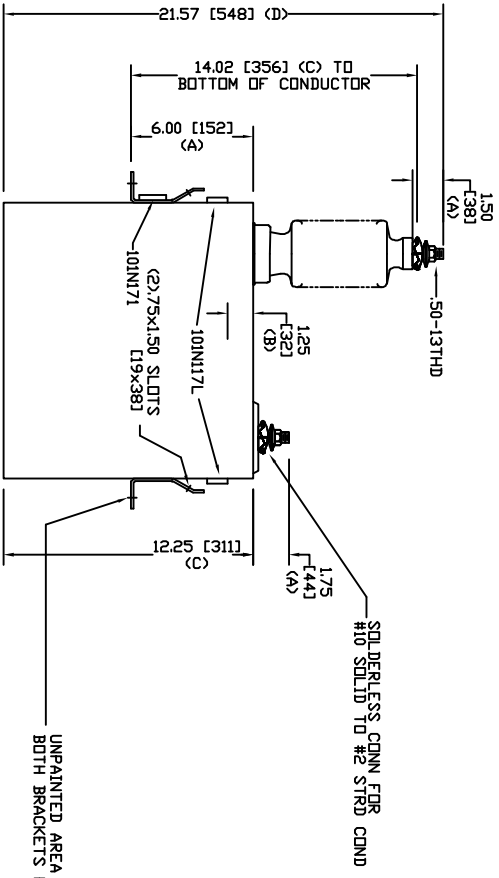


SIZE	DWG NO	SHT	REV
A	58L125WC60	2	0
REV	DESCRIPTION	DATE	APPROVED
0	New	8/9/2006	



TOL	In.	mm
A	.06	1.5
B	.12	3.0
C	.18	4.6
D	.25	6.4
E	+.5/-1	+13/-25



6640 V 1 PH 95 KV/BIL
 200 KVAR 60 Hz
 CAT. 58L125WC60
 167 GAL
 MFG DATE
 101N171 READ GEH-2743



GE ENERGY
 FORT EDWARD, N.Y., U.S.A.

DRAWN ACAD VBA DATE 2/24/2010
 ISSUED RAH DATE 2/24/2010

SIZE A
 WEIGHT 43.4 lbs
 19.7 kg

OUTLINE
 58L125WC60

SHEET 2
 CNT 3