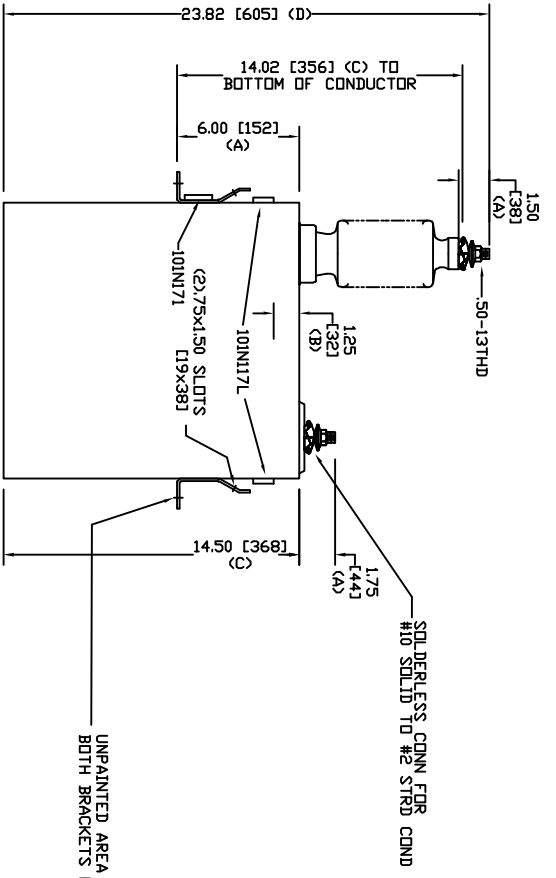
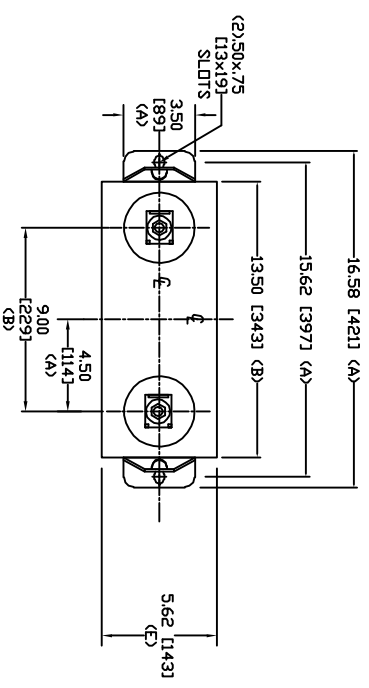


SIZE	DWG. NO.	SHT	REV
A	58L126WC10	2	0
REV	DESCRIPTION	DATE	APPROVED
0	New	5/18/2009	



SOLDERLESS CONN FOR COND #10 SOLDER TO #2 STRD

UNPAINTED AREA UNDER BOTH BRACKETS FOR GROUNDING

TOL	In.	mm
A	.06	1.5
B	.12	3.0
C	.18	4.6
D	.25	6.4
E	+.5/-1	+13/-25

7200 V 1 PH 95 KV/BIL
 200 KVAR 60 Hz
 CAT. 58L126WC10
 188 GAL
 MFG DATE
 101N171 READ GEH-2743



GE ENERGY
 FORT EDWARD, N.Y., U.S.A.

DRAWN ACAD VBA DATE 10/6/2010
 ISSUED RAH DATE 10/6/2010

SIZE A

WEIGHT 50.3 lbs
 22.9 kg

OUTLINE
 58L126WC10

SHEET 2 OF 3