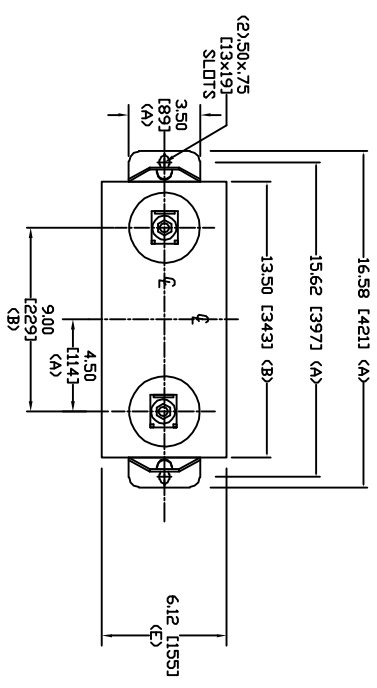
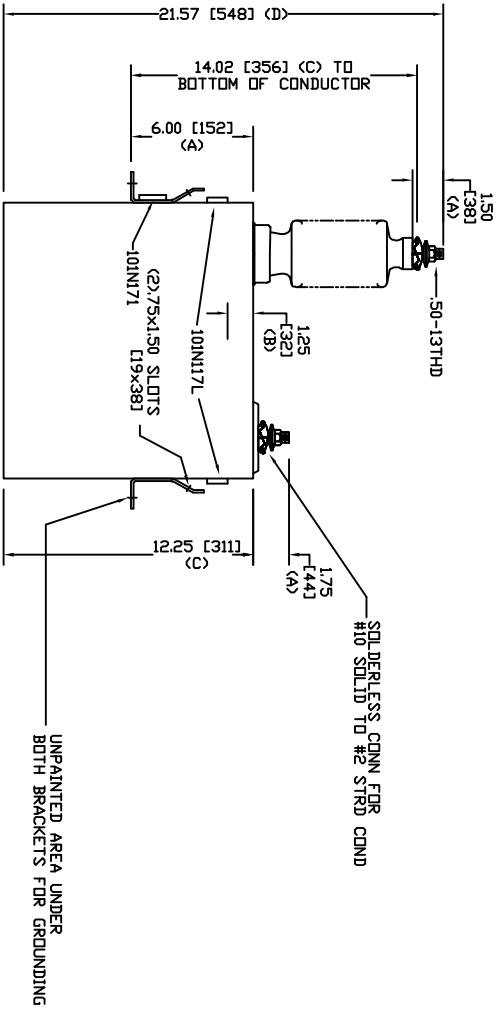



SIZE	DWG NO	SHT	REV
A	58L127WC60	2	0
REV	DESCRIPTION	DATE	APPROVED
0	New	5/9/2005	



TOL	In.	mm
A	.06	1.5
B	.12	3.0
C	.18	4.6
D	.25	6.4
E	+.5/-1	+13/-25



7620 V 1 PH 95 KVBL  
 200 KVAR 60 Hz  
 CAT. 58L127WC60  
 187 GAL  
 MFG DATE  
 101N171 READ GEH-2743


**GE ENERGY**  
**FORT EDWARD, N.Y., U.S.A.**

DRAWN	ACAD VBA	DATE	2/16/2010	SIZE	A	WEIGHT	47.4 lbs	<b>OUTLINE</b> <b>58L127WC60</b>			
ISSUED	RAH	DATE	2/16/2010	SCALE		21.5 kg					
								SHEET	2	CNT	3