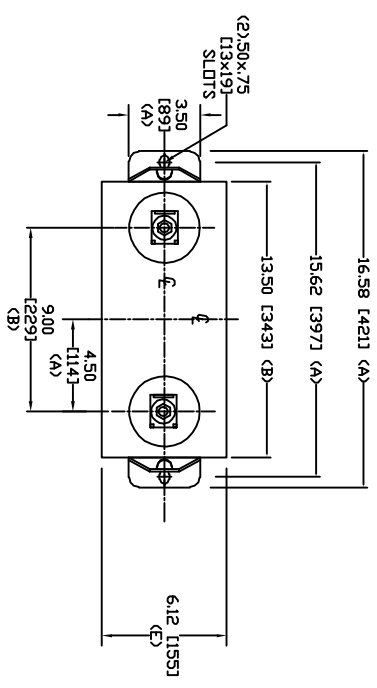
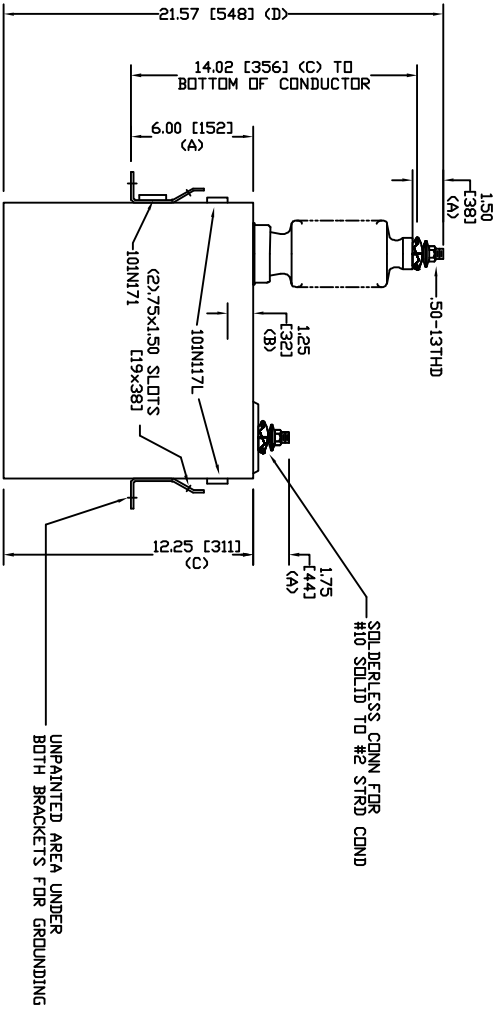


SIZE	DWG. NO.	SHT	REV
A	58L128WC60	2	0
REV	DESCRIPTION	DATE	APPROVED
0	New	2/9/2006	



TOL	In.	mm
A	.06	1.5
B	.12	3.0
C	.18	4.6
D	.25	6.4
E	+.5/-1	+13/-25



UNPAINTED AREA UNDER BOTH BRACKETS FOR GROUNDING

SOLDERLESS CONN FOR #10 SOLDER TO #2 STRD COND

7960 V 1 PH 95 KV/BIL
 200 KVAR 60 Hz
 CAT. 58L128WC60
 1.89 GAL
 MFG DATE
 101N171 READ GEH-2743

GE ENERGY FORT EDWARD, N.Y., U.S.A.		SIZE	A
DRAWN	ACAD VBA	DATE	2/16/2010
ISSUED	RAH	DATE	2/16/2010
OUTLINE 58L128WC60		WEIGHT	47.2 lbs 21.5 kg
DISTR. TO		SHEET	2
201		CGNT	3