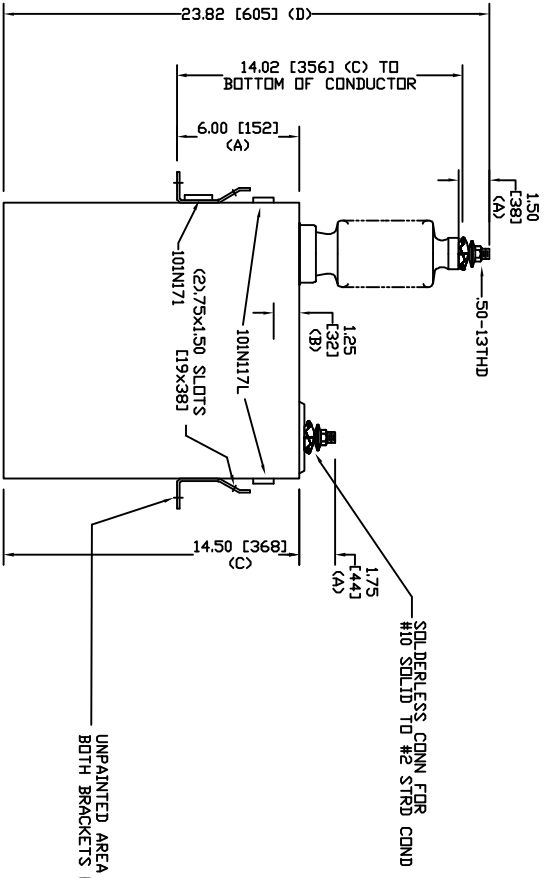
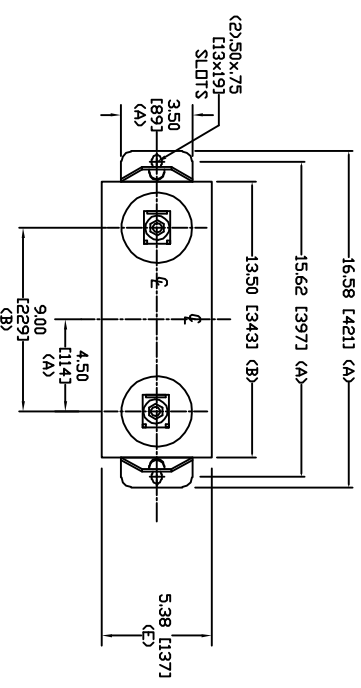


SIZE	DWG. NO.	SHT	REV
A	58L129WC10	2	0
REV	DESCRIPTION	DATE	APPROVED
0	New	1/31/2006	



SOLDERLESS CONN FOR COND #10 SOLDER TO #2 STRD

UNPAINTED AREA UNDER BOTH BRACKETS FOR GROUNDING

TOL	In.	mm
A	.06	1.5
B	.12	3.0
C	.18	4.6
D	.25	6.4
E	+.5/-1	+13/-25

8320 V 1 PH 95 KV/BIL
 200 KVAR 60 Hz
 CAT. 58L129WC10
 1.82 GAL
 MFG DATE
 101N171 READ GEH-2743



INDUSTRIAL SYSTEMS
 FORT EDWARD, N.Y., U.S.A.

DRAWN ACAD VBA DATE 11/12/2008
 ISSUED RAH DATE 11/12/2008

SIZE A
 WEIGHT 47.7 lbs
 SCALE 21.7 kg

OUTLINE
 58L129WC10

SHEET 2
 CNT 3