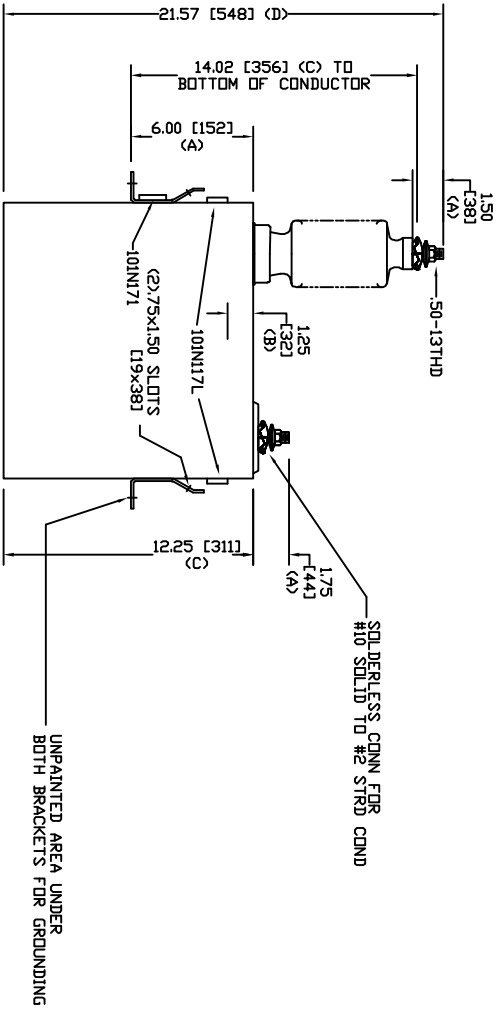
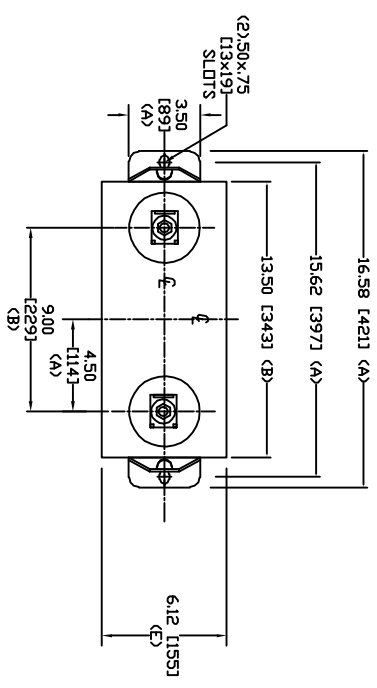



SIZE	DWG. NO.	SHT	REV
A	58L129WC60	2	0
REV	DESCRIPTION	DATE	APPROVED
0	New	1/31/2006	



TOL	In.	mm
A	.06	1.5
B	.12	3.0
C	.18	4.6
D	.25	6.4
E	+5/-1	+13/-25

8320 V 1 PH 95 KV/BIL
 200 KVAR 60 Hz
 CAT. 58L129WC60
 1.9 GAL
 MFG DATE
 101N171 READ GEH-2743


GE ENERGY
FORT EDWARD, N.Y., U.S.A.

DRAWN	ACAD VBA	DATE	2/24/2010	SIZE	A	WEIGHT	47 lbs 21.4 kg	OUTLINE 58L129WC60
ISSUED	RAH	DATE	2/24/2010	SCALE				

SHEET 2 OF 3
 DISTR. TO 201