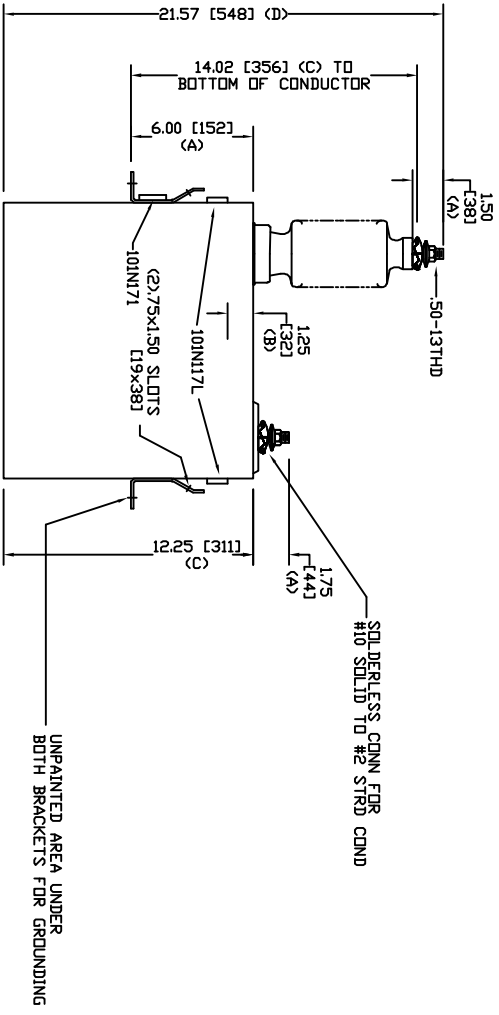
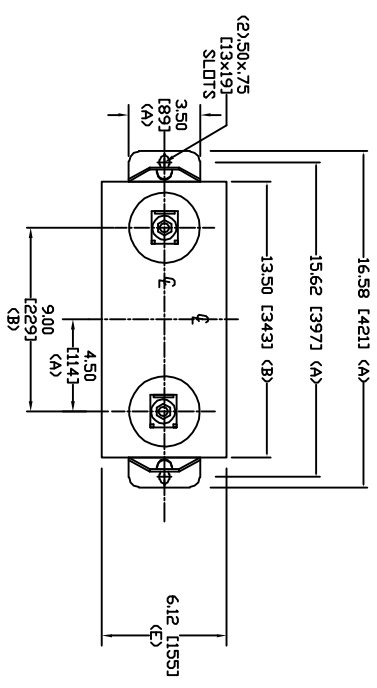


| | | | |
|------|-------------|----------|----------|
| SIZE | DWG. NO. | SHT | REV |
| A | 58L131WC60 | 2 | 0 |
| REV | DESCRIPTION | DATE | APPROVED |
| 0 | New | 3/7/2006 | |



| TOL | In. | mm |
|-----|--------|---------|
| A | .06 | 1.5 |
| B | .12 | 3.0 |
| C | .18 | 4.6 |
| D | .25 | 6.4 |
| E | +.5/-1 | +13/-25 |

12470 V 1 PH 95 KVBL
 200 KVAR 60 Hz
 CAT. 58L131WC60
 1.88 GAL
 MFG DATE
 101N171 READ GEH-2743

| | | | | | | | |
|--|----------|------|-----------|--------|---------------------|-------------------------------------|---|
| GE ENERGY FORT EDWARD, N.Y., U.S.A. | | SIZE | A | WEIGHT | 47.1 lbs 21.4 kg | OUTLINE 58L131WC60 | |
| DRAWN | ACAD VBA | DATE | 2/24/2010 | SCALE | | SHEET | 2 |
| ISSUED | RAH | DATE | 2/24/2010 | | | CGNT | 3 |