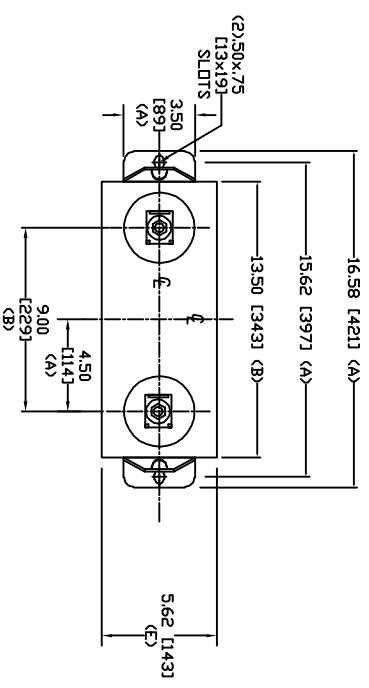
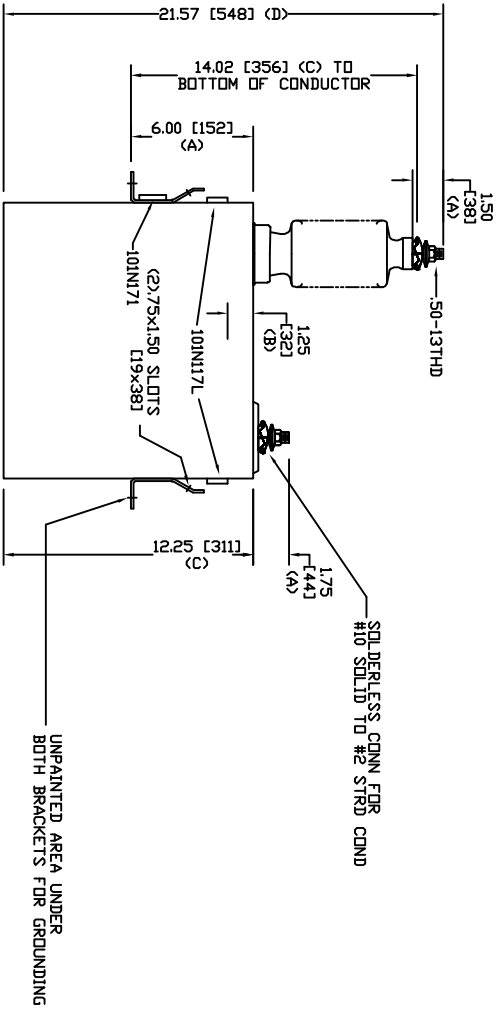


SIZE	DWG. NO.	SHT	REV
A	58L132WC60	2	0
REV	DESCRIPTION	DATE	APPROVED
0	New	3/2/2006	



TOL	In.	mm
A	.06	1.5
B	.12	3.0
C	.18	4.6
D	.25	6.4
E	+.5/-1	+13/-25



13280 V 1 PH 95 KV/BIL
 200 KVAR 60 Hz
 CAT. 58L132WC60
 166 GAL
 MFG DATE
 101N171 READ GEH-2743

GE ENERGY FORT EDWARD, N.Y., U.S.A.		SIZE	A
DRAWN	ACAD VBA	DATE	2/9/2010
ISSUED	RAH	DATE	2/9/2010
WEIGHT 436 lbs 19.8 kg		SCALE	
OUTLINE 58L132WC60		SHEET	2
		CGNT	3