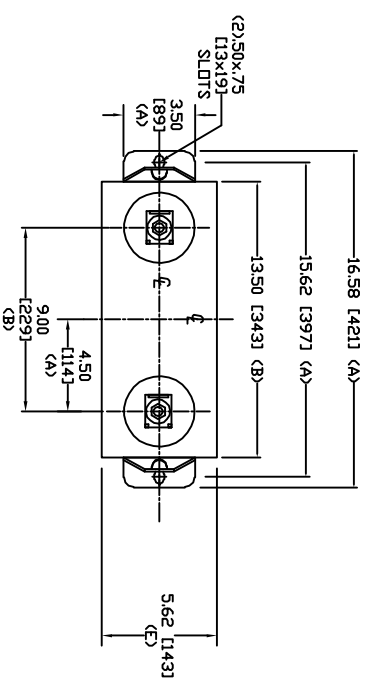
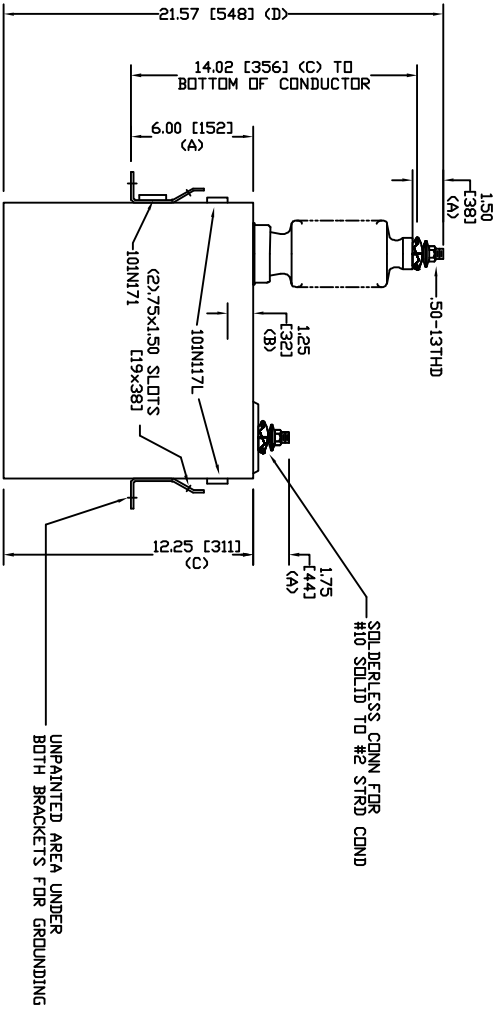


| | | | |
|------|-------------|----------|----------|
| SIZE | DWG. NO. | SHT | REV |
| A | S8L133WC60 | 2 | 0 |
| REV | DESCRIPTION | DATE | APPROVED |
| 0 | New | 3/7/2006 | |



| TOL | In. | mm |
|-----|--------|---------|
| A | .06 | 1.5 |
| B | .12 | 3.0 |
| C | .18 | 4.6 |
| D | .25 | 6.4 |
| E | +.5/-1 | +13/-25 |



13800 V 1 PH 95 KV/BIL
 200 KVAR 60 Hz
 CAT. S8L133WC60
 166 GAL
 MFG DATE
 101N171 READ GEH-2743



GE ENERGY
 FORT EDWARD, N.Y., U.S.A.

DRAWN ACAD VBA DATE 2/19/2010
 ISSUED RAH DATE 2/19/2010

SIZE A
 WEIGHT 43.4 lbs
 19.7 kg

OUTLINE
 S8L133WC60

SHEET 2
 CNT 3