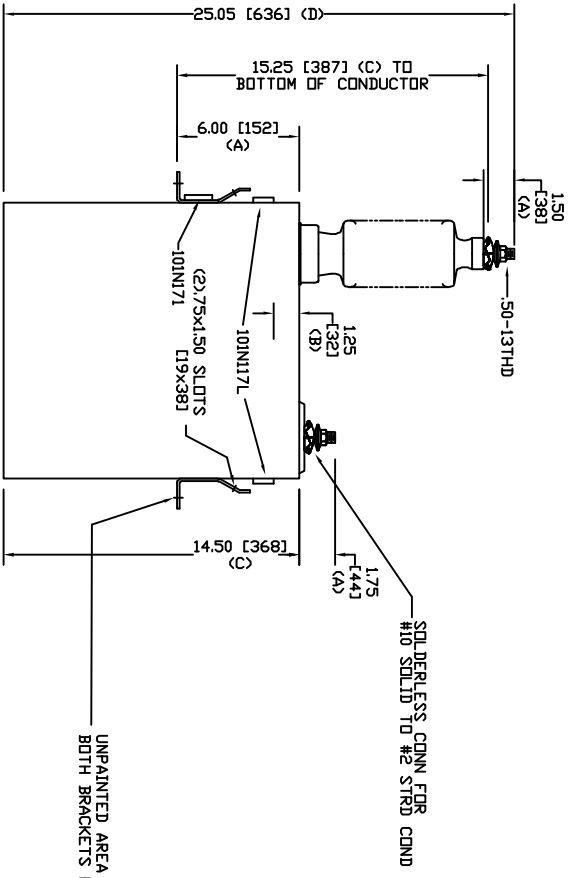
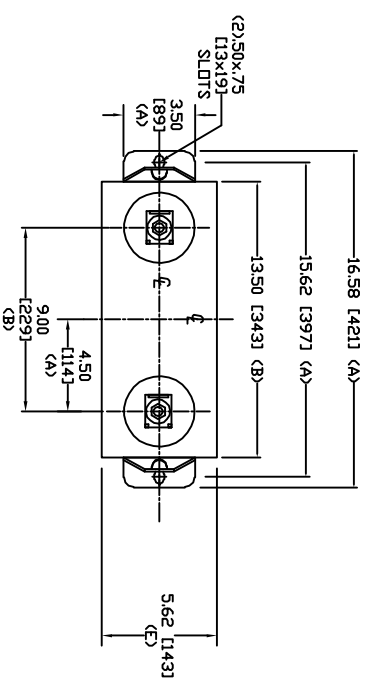


SIZE	DWG. NO.	SHT	REV
A	S8L155WC10	2	0
REV	DESCRIPTION	DATE	APPROVED
0	New	6/11/2007	



TOL	In.	mm
A	.06	1.5
B	.12	3.0
C	.18	4.6
D	.25	6.4
E	+.5/-1	+13/-25

19920 V 1 PH 150 KV/BIL
 200 KVAR 60 Hz
 CAT. S8L155WC10
 2 GAL
 MFG DATE
 101N171 READ GEH-2743

UNPAINTED AREA UNDER BOTH BRACKETS FOR GROUNDING

SOLDERLESS CONN FOR COND #10 SOLDER TO #2 STRD



GE ENERGY
FORT EDWARD, N.Y., U.S.A.

DRAWN ACAD VBA DATE 6/11/2007
 ISSUED RAH DATE 6/11/2007

SIZE A
 WEIGHT 52 lbs
 23.6 kg

OUTLINE
 S8L155WC10

SHEET 2
 CNT 3