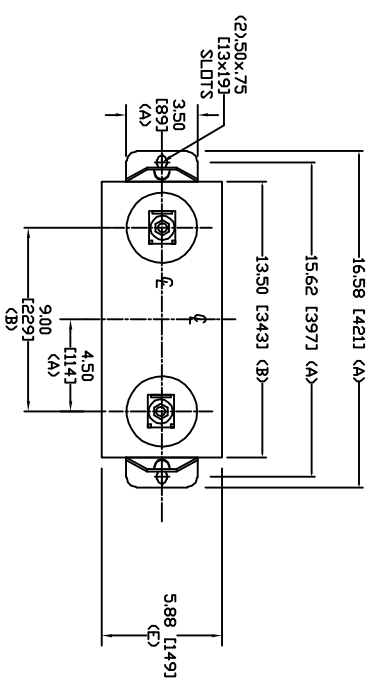
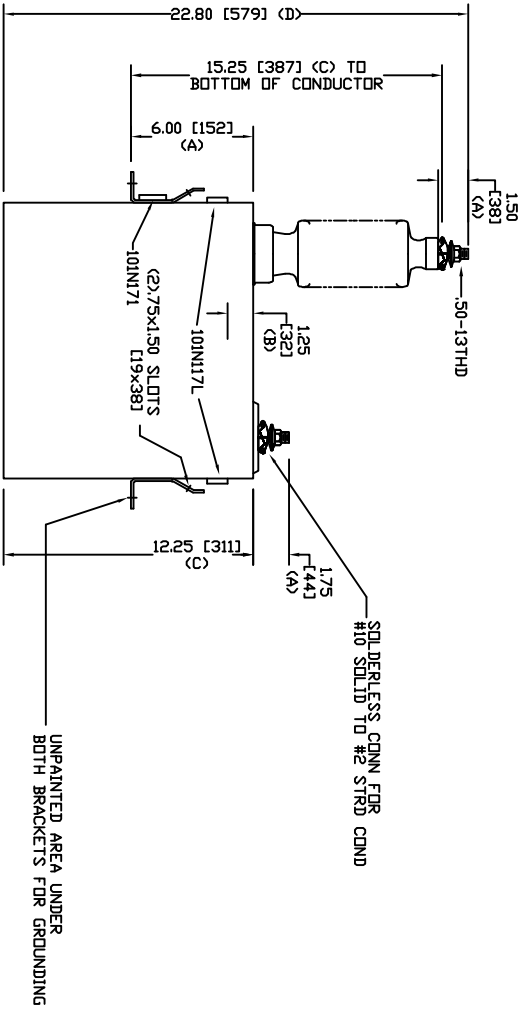



SIZE	DWG NO	SHT	REV
A	58L155WC60	2	0
REV	DESCRIPTION	DATE	APPROVED
0	New	2/3/2006	



TOL	In.	mm
A	.06	1.5
B	.12	3.0
C	.18	4.6
D	.25	6.4
E	+.5/-1	+13/-25



19920 V 1 PH 150 KV/BIL
 200 KVAR 60 Hz
 CAT. 58L155WC60
 181 GAL
 MFG DATE
 101N171 READ GEH-2743

 INDUSTRIAL SYSTEMS FORT EDWARD, N.Y., U.S.A.		SIZE	WEIGHT	OUTLINE 58L155WC60	SHEET	CGNT
DRAWN	ACAD VBA	A	47.6 lbs 21.6 kg		2	3
ISSUED	RAH	DATE	DATE			
		6/18/2007	6/18/2007			
		SCALE				