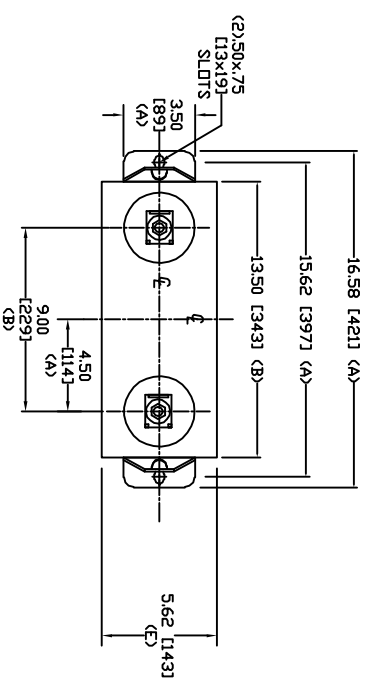
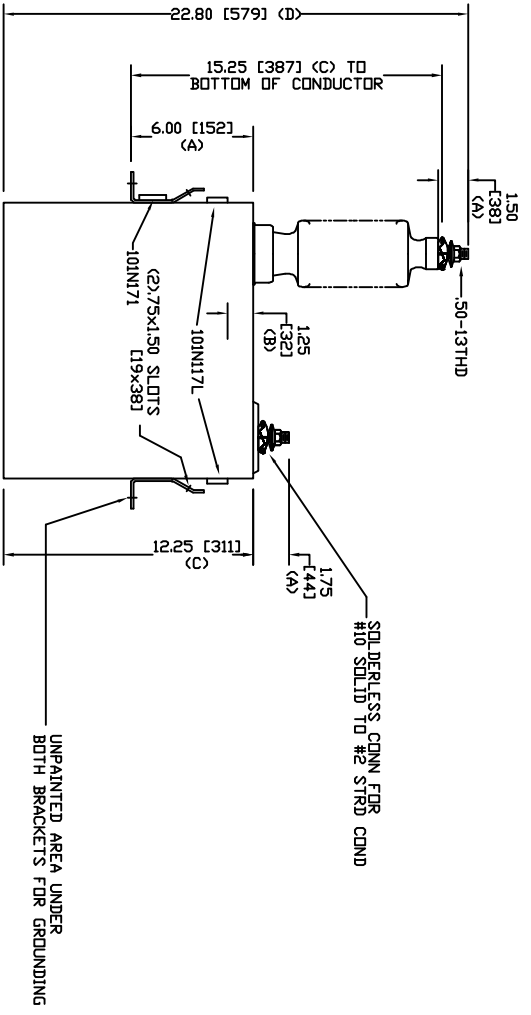


SIZE	DWG. NO.	SHT	REV
A	58L156WC60	2	0
REV	DESCRIPTION	DATE	APPROVED
0	New	2/3/2006	



TOL	In.	mm
A	.06	1.5
B	.12	3.0
C	.18	4.6
D	.25	6.4
E	+.5/-1	+13/-25



21600 V 1 PH 150 KV/BIL
 200 KVAR 60 Hz
 CAT. 58L156WC60
 166 GAL
 MFG DATE
 101N171 READ GEH-2743

GE ENERGY FORT EDWARD, N.Y., U.S.A.		SIZE	A
DRAWN	ACAD VBA	DATE	2/19/2010
ISSUED	RAH	DATE	2/19/2010
		WEIGHT	45.7 lbs 20.8 kg
		<h1>OUTLINE</h1> <h2>58L156WC60</h2>	
		SHEET	2
		CGNT	3