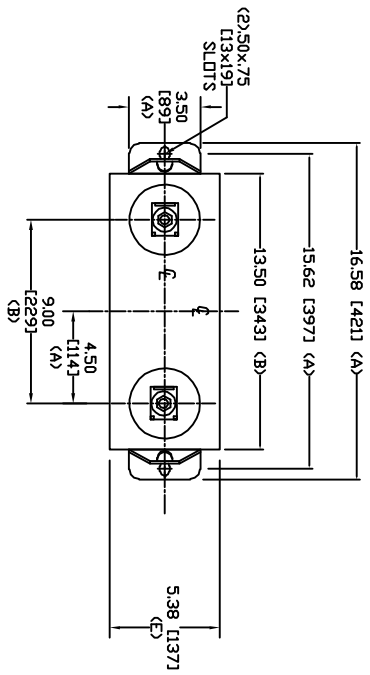
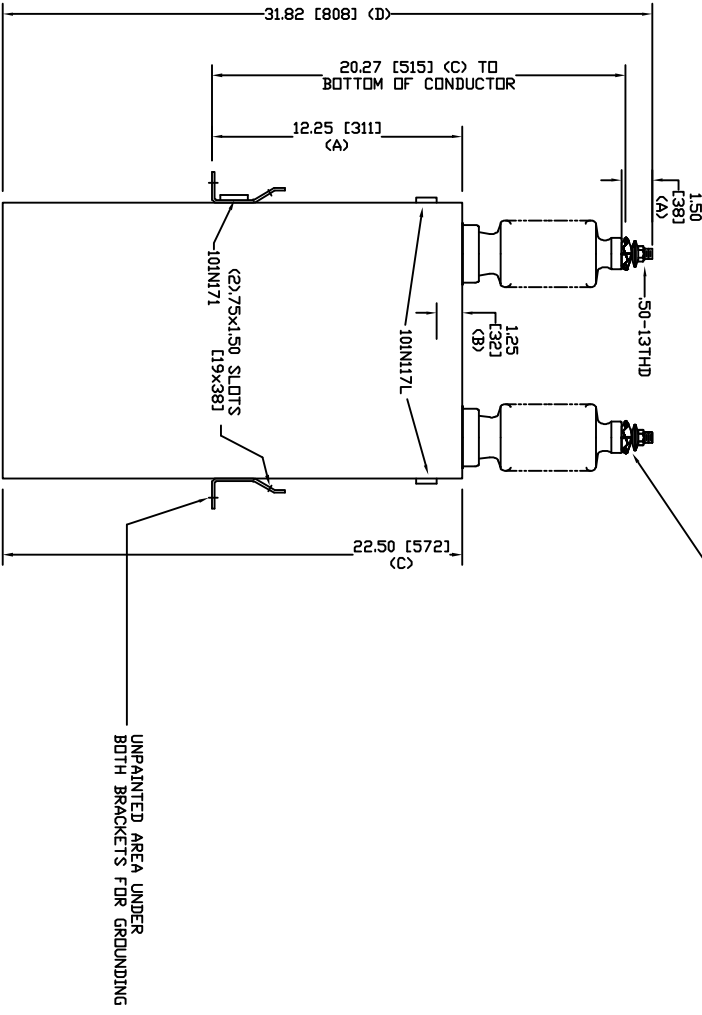


SIZE	DWG. NO.	SHT	REV
A	S9L104WC10	2	0
REV	DESCRIPTION	DATE	APPROVED
0	New	7/28/2006	



TOL	in.	mm
A	.06	1.5
B	.12	3.0
C	.18	4.6
D	.25	6.4
E	+.5/-1	+13/-25



4800 V 1 PH 95 KV/BIL
 300 KVAR 60 Hz
 CAT. S9L104WC10
 2.88 GAL
 MFG DATE
 101N171 READ GEH-2743

INDUSTRIAL SYSTEMS FORT EDWARD, N.Y., U.S.A.		SIZE	A	WEIGHT	74.7 lbs 34 kg	OUTLINE S9L104WC10	
DRAWN	ACAD VBA	DATE	6/1/2007	SCALE		SHEET	2
ISSUED	RAH	DATE	6/1/2007			CGNT	3