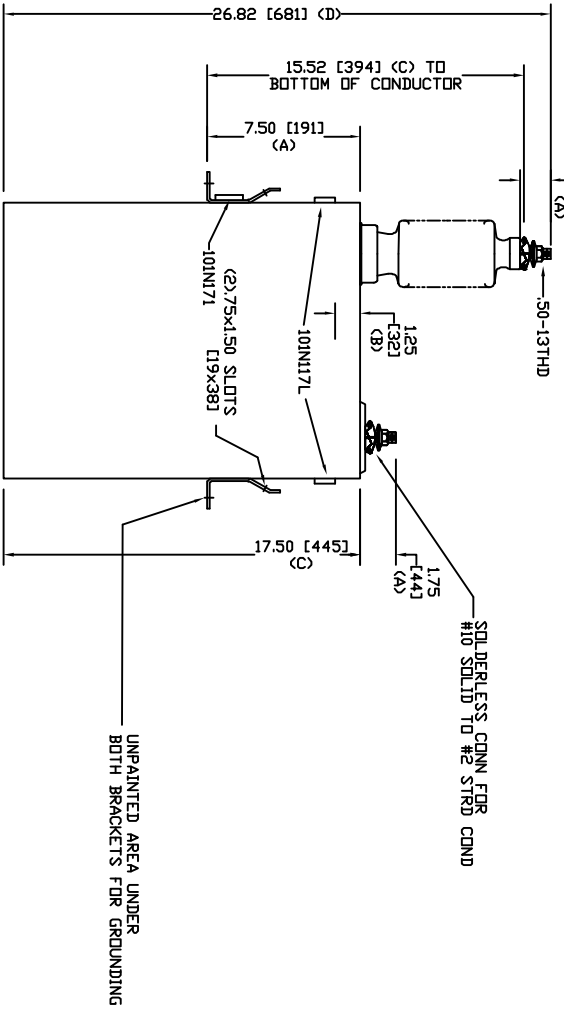
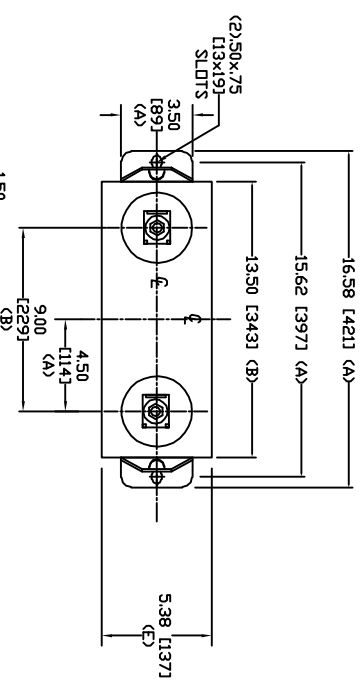



SIZE	DWG. NO.	SHT	REV
A	S9L123WC60	2	0
REV	DESCRIPTION	DATE	APPROVED
0	New	4/20/2006	



TOL	In.	mm
A	.06	1.5
B	.12	3.0
C	.18	4.6
D	.25	6.4
E	+5/-1	+13/-25

4160 V 1 PH 95 KV/BIL
 300 KVAR 60 Hz
 CAT. S9L123WC60
 2.14 GAL
 MFG DATE
 101N171 READ GEH-2743


GE ENERGY
 FORT EDWARD, N.Y., U.S.A.

DRAWN	ACAD VBA	DATE	2/12/2010
ISSUED	RAH	DATE	2/12/2010

SIZE **A** WEIGHT 58.4 lbs 26.5 kg
 SCALE

OUTLINE
 S9L123WC60

SHEET 2 OF 3