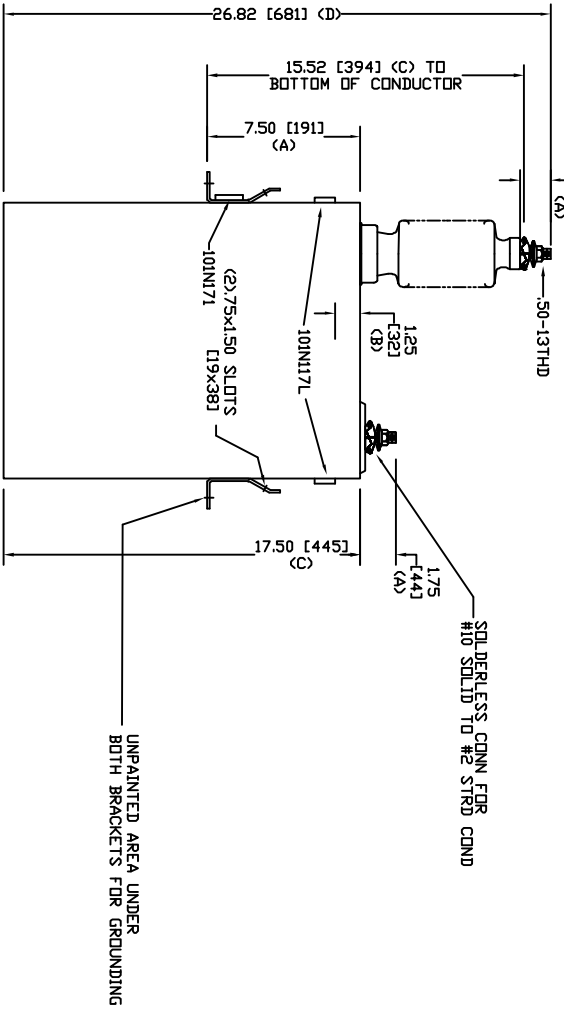
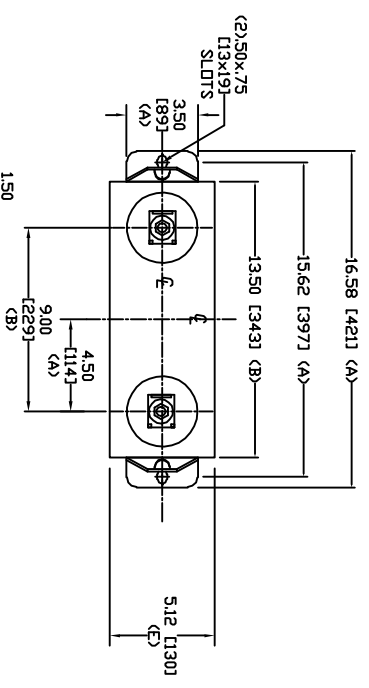


SIZE	DWG. NO.	SHT	REV
A	59L124WC62	2	0
REV	DESCRIPTION	DATE	APPROVED
0	New	7/28/2006	



TOL	in.	mm
A	.06	1.5
B	.12	3.0
C	.18	4.6
D	.25	6.4
E	+.5/-1	+13/-25

4800 V 1 PH 95 KVBL
 300 KVAR 60 Hz
 CAT. 59L124WC62
 2.06 GAL
 MFG DATE
 101N171 READ GEH-2743

GE ENERGY FORT EDWARD, N.Y., U.S.A.		SIZE	WEIGHT	<h1>OUTLINE</h1> <h2>59L124WC62</h2>
DRAWN	ACAD VBA	A	55 lbs 25 kg	
ISSUED	RAH	SCALE		SHEET 2
		DATE		CONT 3
		DATE		