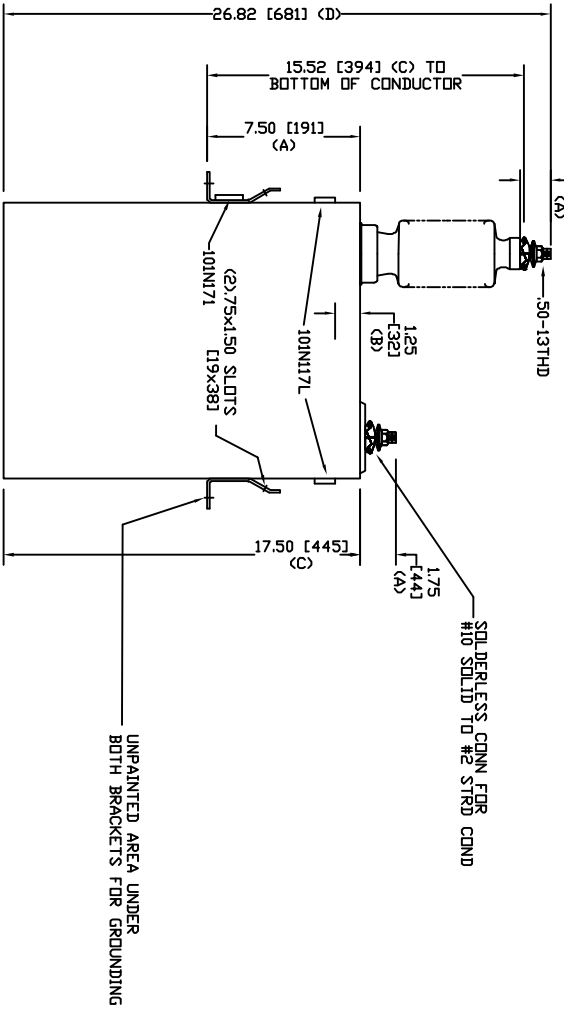
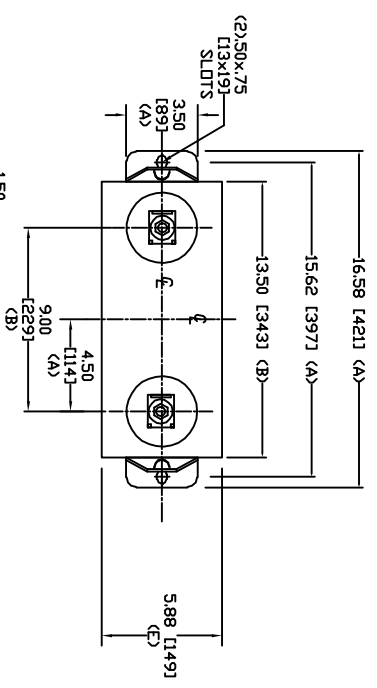



SIZE	DWG. NO.	SHT	REV
A	59L125WC60	2	0
REV	DESCRIPTION	DATE	APPROVED
0	New	8/9/2006	



TOL	in.	mm
A	.06	1.5
B	.12	3.0
C	.18	4.6
D	.25	6.4
E	+.5/-1	+13/-25

6640 V 1 PH 95 KV BIL
 300 KVAR 60 Hz
 CAT. 59L125WC60
 2.29 GAL
 MFG DATE
 101N171 READ GEH-2743


GE ENERGY
FORT EDWARD, N.Y., U.S.A.

DRAWN	ACAD VBA	DATE	2/12/2010	SIZE	A	WEIGHT	62.2 lbs 28.3 kg	OUTLINE 59L125WC60
ISSUED	RAH	DATE	2/12/2010	SCALE				

SHEET 2 OF 3
 DISTR. TO 201