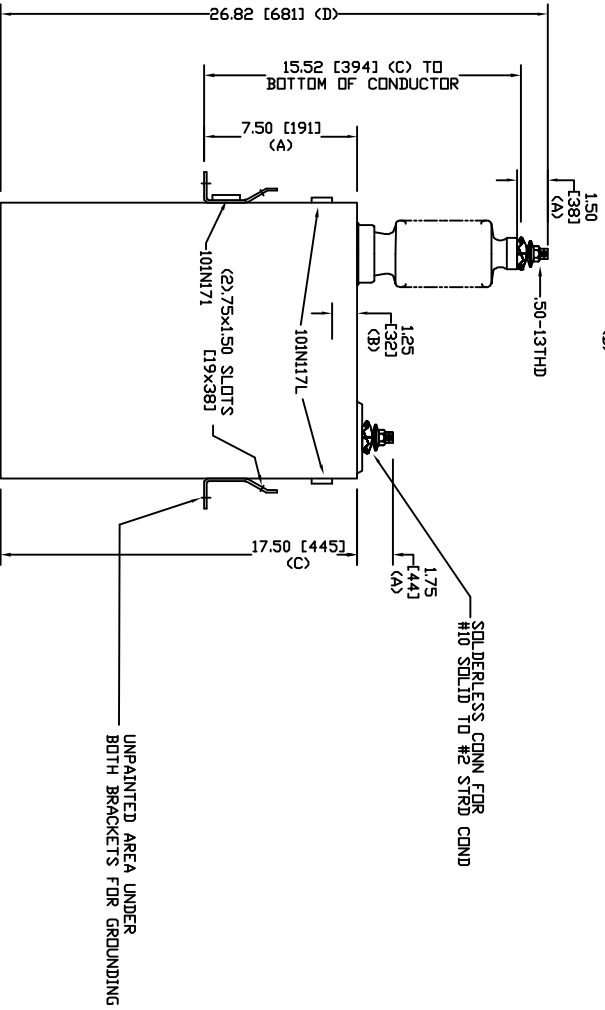
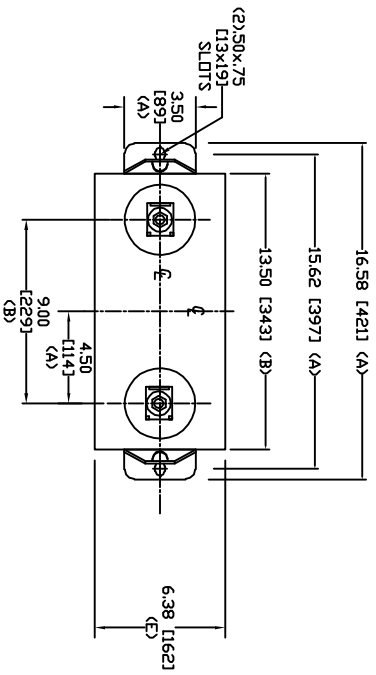


SIZE	DWG. NO.	SHT	REV
A	S9L127WC10	2	0
REV	DESCRIPTION	DATE	APPROVED
0	New	2/16/2006	



TOL	In.	mm
A	.06	1.5
B	.12	3.0
C	.18	4.6
D	.25	6.4
E	+.5/-1	+13/-25

7620 V 1 PH 95 KV/BIL
 300 KVAR 60 Hz
 CAT. S9L127WC10
 2.49 GAL
 MFG DATE
 101N171 READ GEH-2743



GE ENERGY
 FORT EDWARD, N.Y., U.S.A.

DRAWN ACAD VBA DATE 2/17/2009
 ISSUED RAH DATE 2/17/2009

SIZE A

WEIGHT
 68 lbs
 30.9 kg

OUTLINE
 S9L127WC10

SHEET 2 OF 3