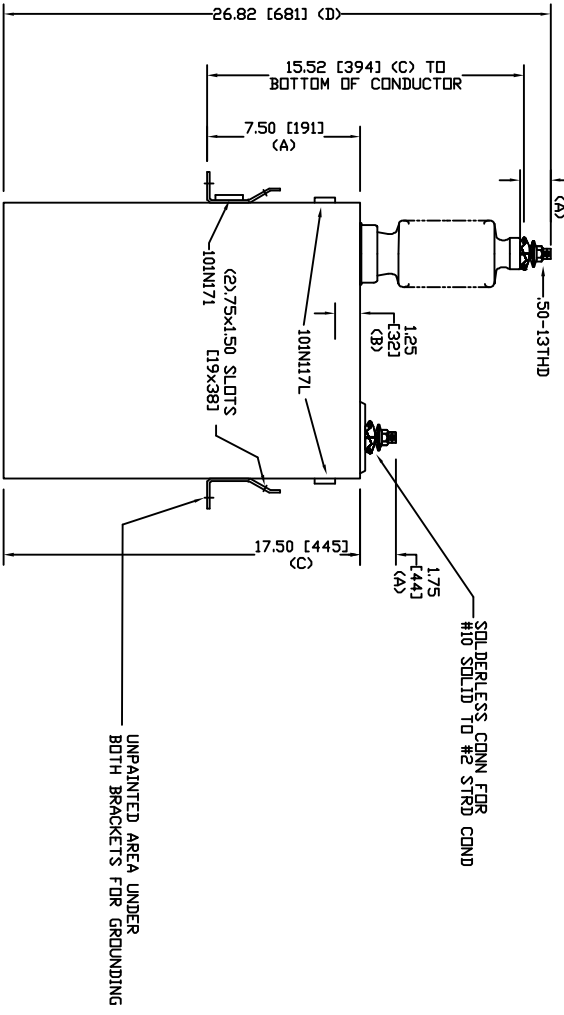
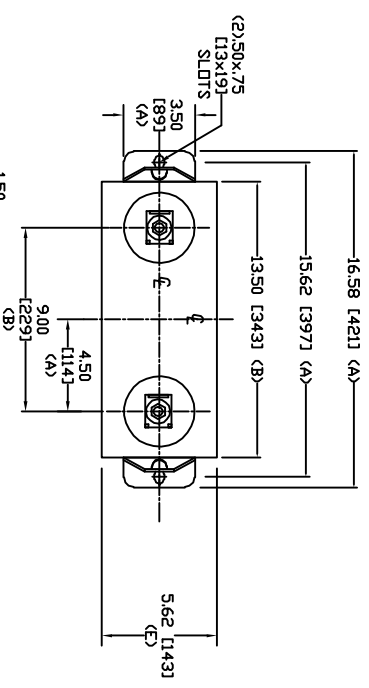


SIZE	DWG. NO.	SHT	REV
A	59L127WC60	2	0
REV	DESCRIPTION	DATE	APPROVED
0	New	2/16/2006	



TOL	In.	mm
A	.06	1.5
B	.12	3.0
C	.18	4.6
D	.25	6.4
E	+.5/-1	+13/-25

7620 V 1 PH 95 KV/BIL  
 300 KVAR 60 Hz  
 CAT. 59L127WC60  
 2.3 GAL  
 MFG DATE  
 101N171 READ GEH-2743

<b>GE ENERGY</b> <b>FORT EDWARD, N.Y., U.S.A.</b>		SIZE	WEIGHT	<b>OUTLINE</b> <b>59L127WC60</b>	SHEET	CGNT
DRAWN	ACAD VBA	A	61.1 lbs 27.8 kg		2	DN
ISSUED	RAH	SCALE				
DATE	DATE					
2/8/2010	2/8/2010					