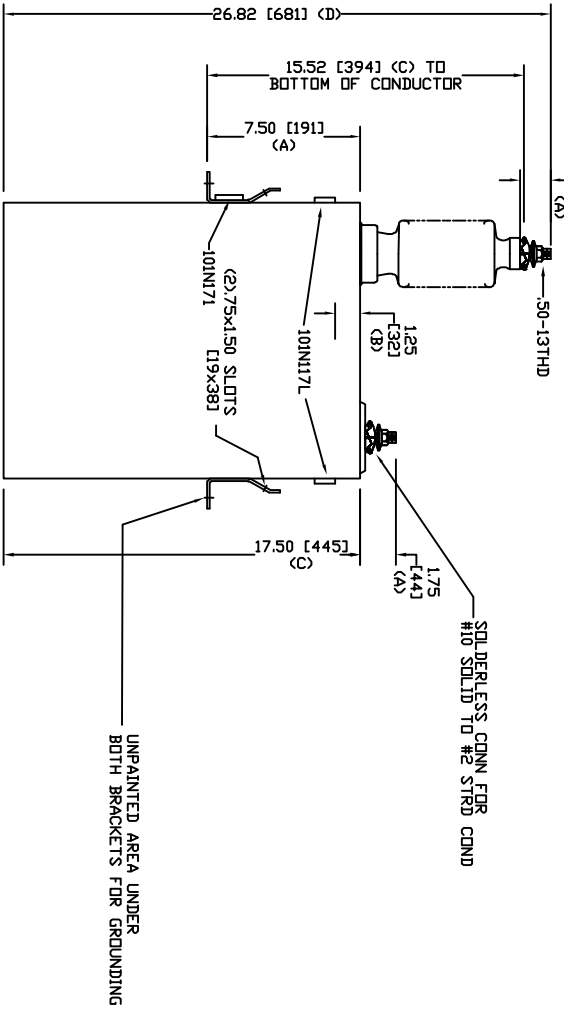
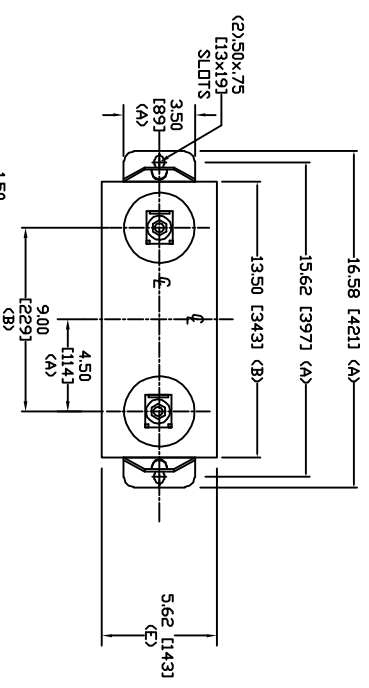


SIZE	DWG. NO.	SHT	REV
A	59L128WC60	2	0
REV	DESCRIPTION	DATE	APPROVED
0	New	10/13/2005	



TOL	In.	mm
A	.06	1.5
B	.12	3.0
C	.18	4.6
D	.25	6.4
E	+.5/-1	+13/-25

7960 V 1 PH 95 KV/BIL  
 300 KVAR 60 Hz  
 CAT. 59L128WC60  
 2.34 GAL  
 MFG DATE  
 101N171 READ GEH-2743

<b>GE ENERGY</b> <b>FORT EDWARD, N.Y., U.S.A.</b>		SIZE	A
DRAWN	ACAD VBA	DATE	2/12/2010
ISSUED	RAH	DATE	2/12/2010
<b>OUTLINE</b> <b>59L128WC60</b>		WEIGHT	60.7 lbs 27.6 kg
DISTR. TO		SHEET	2
201		CONT	3