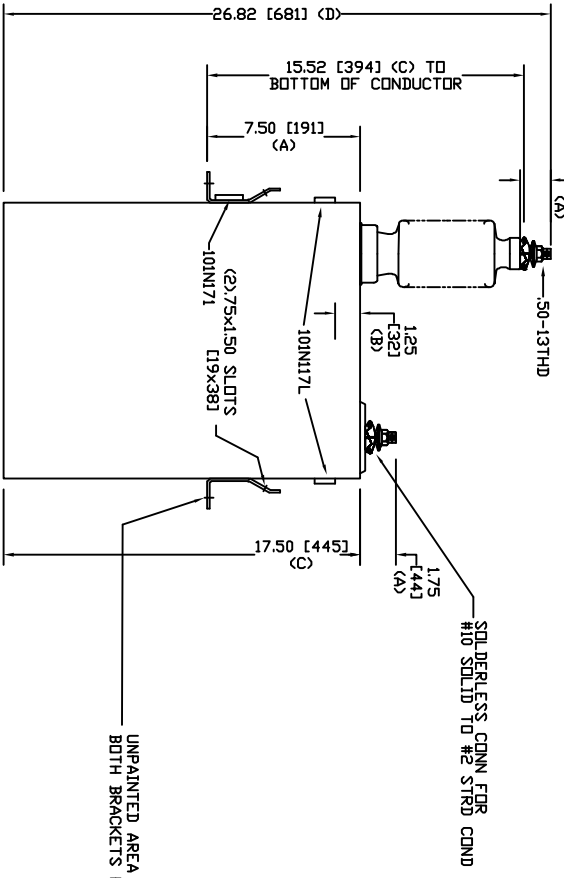
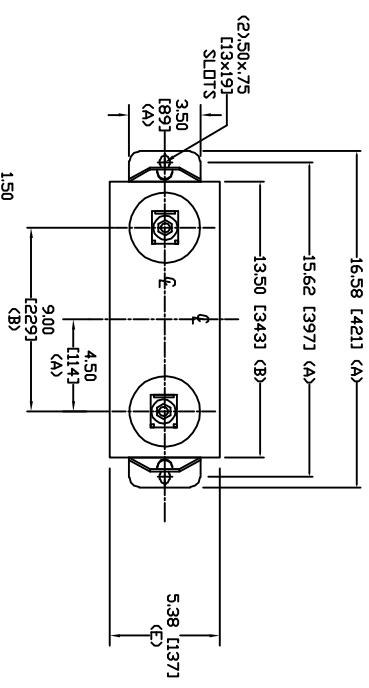


SIZE	DWG. NO.	SHT	REV
A	S9L129WC60	2	0
REV	DESCRIPTION	DATE	APPROVED
0	New	3/10/2006	



UNPAINTED AREA UNDER BOTH BRACKETS FOR GROUNDING

TOL	in.	mm
A	.06	1.5
B	.12	3.0
C	.18	4.6
D	.25	6.4
E	+.5/-1	+13/-25

8320 V 1 PH 95 KV/BIL  
 300 KVAR 60 Hz  
 CAT. S9L129WC60  
 2.14 GAL  
 MFG DATE  
 101N171 READ GEH-2743

<b>GE ENERGY</b> <b>FORT EDWARD, N.Y., U.S.A.</b>		SIZE	WEIGHT	<b>OUTLINE</b> <b>S9L129WC60</b>
DRAWN	ACAD VBA	A	58.3 lbs 26.5 kg	
ISSUED	RAH	SCALE		SHEET 2
				CGNT 3