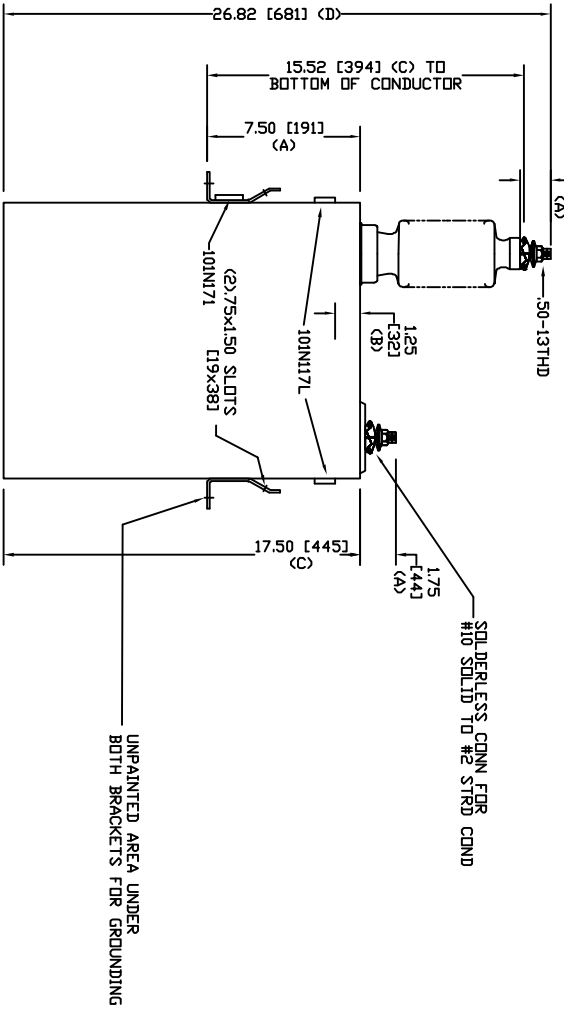
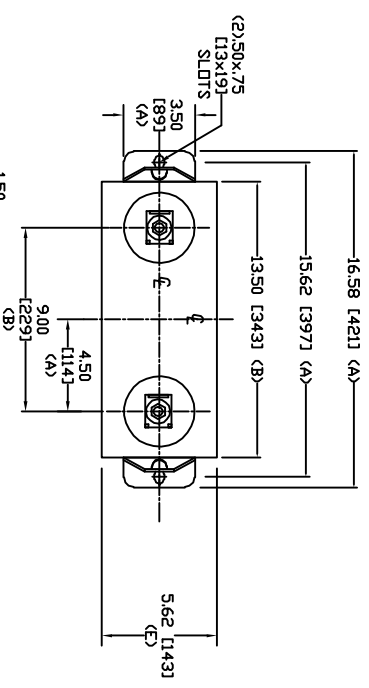


SIZE	DWG. NO.	SHT	REV
A	S9L130WC60	2	0
REV	DESCRIPTION	DATE	APPROVED
0	New	3/13/2006	



TOL	In.	mm
A	.06	1.5
B	.12	3.0
C	.18	4.6
D	.25	6.4
E	+.5/-1	+13/-25

9960 V 1 PH 95 KV/BIL
 300 KVAR 60 Hz
 CAT. S9L130WC60
 2.33 GAL
 MFG DATE
 101N171 READ GEH-2743

GE ENERGY FORT EDWARD, N.Y., U.S.A.		SIZE	A	WEIGHT	60.7 lbs 27.6 kg	OUTLINE S9L130WC60	
DRAWN	ACAD VBA	SCALE				SHEET	2
ISSUED	RAH	DATE	2/12/2010			CGNT	3