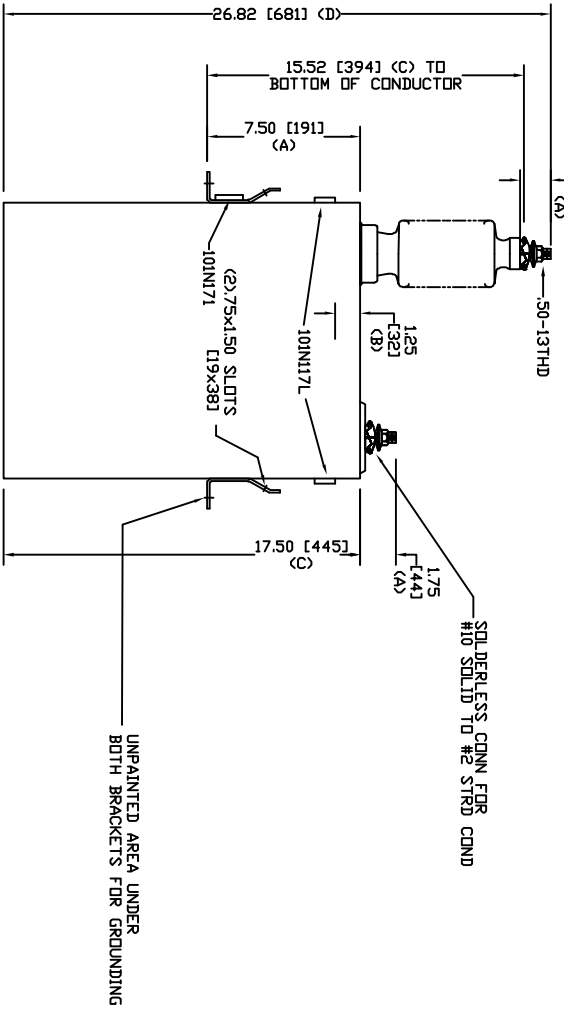
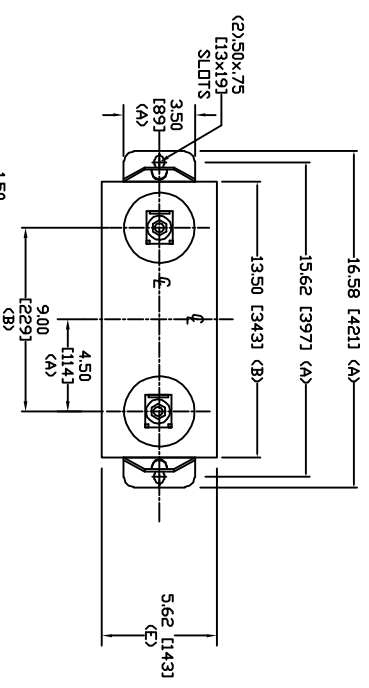


SIZE	DWG. NO.	SHT	REV
A	59L131WC60	2	0
REV	DESCRIPTION	DATE	APPROVED
0	New	7/21/2006	



TOL	In.	mm
A	.06	1.5
B	.12	3.0
C	.18	4.6
D	.25	6.4
E	+.5/-1	+13/-25

12470 V 1 PH 95 KVBL  
 300 KVAR 60 Hz  
 CAT. 59L131WC60  
 2.35 GAL  
 MFG DATE  
 101N171 READ GEH-2743

GE ENERGY FORT EDWARD, N.Y., U.S.A.		SIZE	A	WEIGHT	60.5 lbs 27.5 kg	OUTLINE	59L131WC60
DRAWN	ACAD VBA	SCALE				SHEET	2
ISSUED	RAH	DATE	1/12/2010			CGNT	3